

# MAJORITY

## COTTENHAM II

---

Digital and FM Radio with Bluetooth

COT-DAB-GRY-2



Instructions Guide

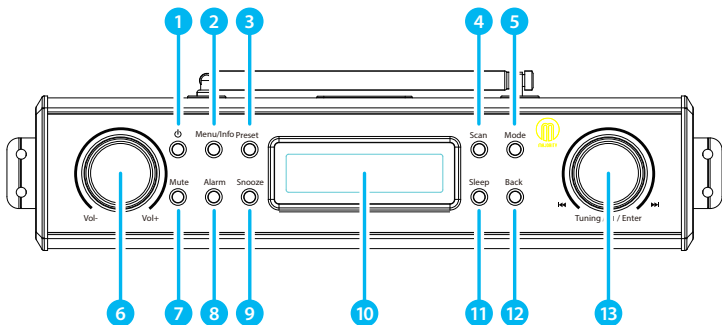
# Contents

<b>Controls And Functions</b> .....	1
<b>What's In The Box?</b> .....	4
<b>Support</b> .....	5
<b>Instructions Guide</b> .....	6
Basic Operation .....	6
DAB/DAB+ Radio.....	7
FM Radio.....	10
Bluetooth Mode .....	14
Dual Alarm Setting.....	15
Alarm Functions.....	16
Settings: Clock and Date .....	17
Settings: Sleep Timer .....	19
Settings: Additional Functions .....	20
Battery Portability.....	21
<b>Troubleshooting</b> .....	22
<b>Specification</b> .....	23
<b>Warranty</b> .....	23
<b>Safety Information</b> .....	24

**3 YEAR  
WARRANTY**

Watch video tutorials and register  
your product for a FREE 3-year warranty  
at [www.majorityradios.co.uk](http://www.majorityradios.co.uk)

## Top View

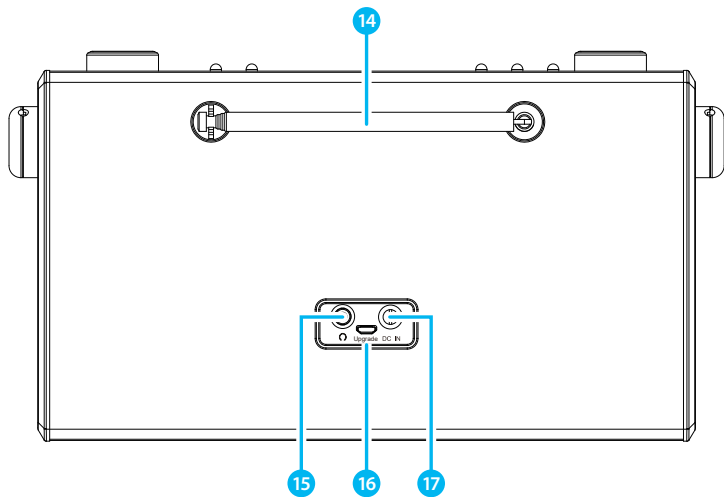


1. Standby
2. Menu/Info
3. Preset
4. Scan
5. Mode
6. Vol -/Vol +
7. Mute

8. Alarm
9. Snooze
10. Display Screen
11. Sleep
12. Back
13. Tuning/Play/Pause/Enter

## Rear View

---



14. Aerial

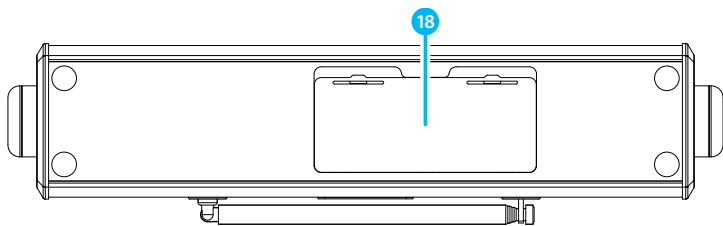
15. Earphone output

16. Upgrade port (for software updates only)

17. DC in power port

## Bottom View

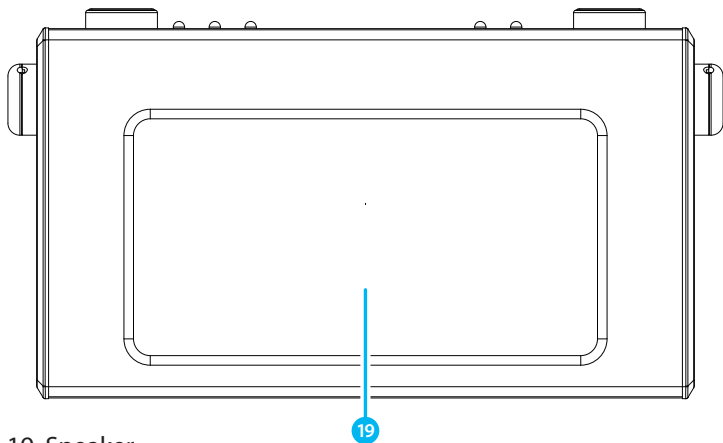
---



18. Battery compartment

## Front View

---



19. Speaker

# What's In The Box?

## Box Contents

---

1. Majority Cottenham II DAB / DAB+ / FM / Bluetooth Radio Clock
2. UK Standard Plug DC 5V,1A Power Supply
3. User Guide



## Support

---

Thank you for your purchase of the Majority Cottenham II.

Please follow the guidance of the manual to set up your radio and enjoy its fantastic variety of stations and features.

If you require further assistance with your new radio, please contact our support team on the Majority website:

<https://www.majorityradios.co.uk/support/>

## Basic Operation

---

Please note all (Ref.) refer to Page 1-3 Controls and Functions mapping guide.

Plug the connector into the back of the system via the DC IN port (**Ref.17**) and the power supply into the mains.

Alternatively, you can use 4 x D batteries to make your radio portable and take on the go. Simply insert these into the battery compartment at the bottom of the unit (**Ref.18**).

Ensure the antenna is extended as far as possible so that you can get the best signal you can. This will ensure that a great variety of stations can be received.

Press the 'Standby' button (**Ref.1**) to turn the unit on. This should take you straight to DAB/DAB+ radio mode and begin a scan for available digital stations. If a scan does not automatically begin, you will need to press the 'Scan' button (**Ref.4**). A scan will then begin and tune into available stations.

When the scan is complete, the radio will begin to play the first available DAB/DAB+ station. The time and date will also now be set on the unit. To switch to FM or Bluetooth mode, press the 'Mode' button repeatedly (**Ref.5**).

### Standby

To place the music system on/off standby, press the 'Standby' button (**Ref.1**).

To turn off the radio off fully, switch it off at the mains. The cord must be out of reach of children.



## DAB/DAB+ Radio

---

Press the 'Mode' button (**Ref.5**) to switch to DAB/DAB+ Radio. On first use it will automatically scan all stations and save them, and also synchronize the time and date of the station.

Fully extend the antenna (**Ref.14**) to ensure that the best signal can be received before scanning.

If the unit hasn't automatically scanned or you would like to rescan the available stations, press the 'Scan' button (**Ref.4**) and then release. This would be advisable to repeat if you are having trouble listening to particular stations.

By pressing the Scan button, the radio will scan for available stations up the frequency band and store all stations that have a good signal. After searching has finished it will automatically play the first station stored.

To browse through all of stations that have been stored, use the 'Tuning/Enter/Play/Pause' dial (**Ref.13**) to scroll through. Once you have found your desired station, press down the 'Tuning/Enter/Play/Pause' dial (**Ref.13**) to confirm your choice.

When you turn on the radio again after it switching off, it will automatically tune to the same station (DAB or FM) that was last selected.

## DAB/DAB+ Presets

---

### How to store a preset station

To be able to quickly access your favourite DAB/DAB+ stations, you can preset them. Up to 10 different preset stations can be set for you to browse between.

To store a station as a preset, it is best to be listening to the station at the time.

Once listening to a station, press and **hold** the 'Preset' button (**Ref.3**). The screen will then display "<1: (Empty)" to show the empty preset 1. To set the station as preset 1, simply press down the 'Tuning/Enter/Play/Pause' dial (**Ref.13**) to confirm your choice.

To set the station as preset number 2 or above, use the 'Tuning/Enter/Play/Pause' dial to change the "<1" to the number you want to store the station as. Follow by pressing down the 'Tuning/Enter/Play/Pause' dial to save the preset station.

Once the station is saved as a preset, the display will then show "Preset (x) stored".

### How to play a preset radio station

To play your preset radio stations, press the 'Preset' (**Ref.3**) button to enter the preset catalogue (do not hold).

Use the 'Tuning/Enter/Play/Pause' dial (**Ref.13**) to scroll through your preset stations from 1-10.

Once you have found the chosen preset station you wish to play, press down the 'Tuning/Enter/Play/Pause' dial (**Ref.13**) to select your choice. The station will now begin to play.

## Station Information for DAB/DAB+ Radio

---

When you are listening to a DAB/DAB+ radio station with good signal, you can press the 'Menu/Info' button (**Ref.2**) repeatedly to show the different programme information.

**Signal Strength:** Displays a signal bar with the strength of the current station.

**Bit Error Rate:** Provides details of the signal error rate.

**Channel and Frequency:** Displays the station's transmission channel number and frequency.

**PTY (Programme Type):** Shows the type and description of the program provided by the DAB station.

**Time and Date:** Displays the time and date information provided by the broadcaster.

**Bit Rate:** The data rate which the signal is being transmitted.

**Dynamic Label Segment (DLS):** Displays scrolling text information supplied by the broadcaster.

## FM Radio

---

Press the 'Mode' button (**Ref.5**) multiple times to switch between DAB, FM and Bluetooth. The first time you switch to FM mode, the FM frequency "87.5 MHz" will be displayed on the screen.

Fully extend the antenna (**Ref.14**).

To scan for the available stations with good signal, press the 'Scan' button (**Ref.4**) for the radio to begin scanning up the frequency band. The next available station with good signal will then begin to play.

To scan down the frequency band, press and **hold** the 'Scan' button (**Ref.4**) for a few seconds for the station down the frequency band with good signal.

The radio will display station information when you press the 'Menu/Info' button (**Ref.2**), press multiple times to view all information (See page 11).

To manually tune FM radio, use the 'Tuning/Enter/Play/Pause' dial (**Ref.13**) to browse slowly up and down the frequency.

## Mono and Stereo

In FM mode, press down the 'Tuning/Enter/Play/Pause' dial multiple times (**Ref.13**) to switch between 'Set to Mono' or 'Set to Stereo'.

## FM Radio

---

### FM Scan Setting

Choose between scanning strong and weak signals (All) or only the strong stations (Only).

To do this, press and **hold** the 'Menu/Info' button (**Ref.2**) to open the 'Set Menu' settings. Use the 'Tuning/Enter/Play/Pause' dial (**Ref.13**) to scroll to "FM Scan Setting" and select this option by pressing down the dial.

Now use the 'Tuning/Enter/Play/Pause' dial to scroll between selecting "All" or "Only". Press down on the 'Tuning/Enter/Play/Pause' dial (**Ref.13**) to select your choice.

## FM Radio Presets

---

### How to store a preset station

To be able to quickly access your favourite FM stations, you can preset the stations. Up to 10 different preset stations can be set for you to browse between.

Once listening to the station, press and **hold** the 'Preset' button (**Ref.3**). The screen will then display "<1: (Empty)" to show the empty preset 1. To set the station as preset 1, simply press down the 'Tuning/Enter' dial (**Ref.13**) to confirm your choice.

To set the station as preset number 2 or above, use the 'Tuning/Enter' dial to change the "<1" to the number you want to store the station as. Select the preset number you would like to save the station as by pressing down the 'Tuning/Enter' dial (**Ref.13**).

Once the station is saved as a preset, the display will then show "Preset [x] stored".

### How to play a preset radio station

To play your preset radio stations, press the 'Preset' button (**Ref.3**) to enter the preset catalogue (do not hold).

Use the 'Tuning/Enter' dial (**Ref.13**) to scroll through your preset stations from 1-10.

Once you have found the chosen preset station, press down the 'Tuning/Enter' dial to select your choice. The station will now begin to play.

## Station Information for FM Radio

---

When you are listening to an FM radio station with good signal, you can press the 'Menu/Info' button (**Ref.2**) repeatedly to show the different programme information.

**Signal Strength:** Displays a signal bar with the strength of the current station.

**Time and Date:** Displays the time and the date.

**Frequency:** Displays the station's transmission frequency.

**Audio Type:** Displays the audio type of the station you are listening to. It will either be Stereo or Mono.

**Radio Text:** Displays scrolling text information supplied by the broadcaster.

**Programme Type:** Displays a description of the type of programme provided by the broadcaster.

## Bluetooth Mode

---

Press the 'Mode' button (**Ref.5**) repeatedly to scroll through to Bluetooth mode. The screen will display when Bluetooth mode is selected.

Go to your Bluetooth device such as your phone and open Bluetooth settings.

The "Majority Cottenham" will display at this point, so please select this as your chosen Bluetooth device. Once connected on your device, the radio display will show "BT Connect OK" to show that it has successfully connected.

To choose the music you wish to play, please select this from your Bluetooth device. Once music is playing, you can then use the 'Tuning/Enter/Play/Pause' dial (**Ref.13**) to scroll forwards and backwards through your music.

To Play/Pause your music, you can press down the 'Tuning/Enter/Play/Pause' dial (**Ref.13**).

The operational range between the unit and a Bluetooth device is approximately 10 meters without any obstructions.



## Dual Alarm Setting

---

- 1.** Press the 'Alarm' button (**Ref.8**) once for Alarm 1 or twice for Alarm 2. Press the 'Tuning/Enter' dial (**Ref.13**) to confirm the alarm you wish to set.
- 2.** Once alarm 1 or 2 is selected, "OFF" will display on the screen. To turn the alarm on, turn the 'Tuning/Enter' (**Ref.13**) dial to make "ON" flash on the display. Press down the 'Tuning/Enter' dial (**Ref.13**) to confirm the alarm switch on.
- 3.** The hour digits for the alarm will then flash. To set the hour you want the alarm to sound, turn the 'Tuning/Enter' (**Ref.13**) dial to change the hour and press down the 'Tuning/Enter' dial (**Ref.13**) to confirm your choice.
- 4.** The minutes of the alarm are now able to be set. Using the 'Tuning/Enter' dial, scroll up and down the minutes and press down the dial to confirm your choice.
- 5.** Now choose when you would like the alarm to sound. Using the 'Tuning/Enter' dial, scroll through the alarm options: 'Once/Daily/Weekends/Weekdays'. Press down the dial to confirm your choice
- 6.** Now change the alarm volume by scrolling with the 'Tuning/Enter' dial. Press down the dial to confirm the alarm volume.
- 7.** You can now choose the alarm tone sound. Using the 'Tuning/Enter' dial, browse between the following alarm tone options: Alarm, DAB or FM Radio. To select your choice, press down the 'Tuning/Enter' dial. Please note that if DAB or FM is selected, then the radio will play the last station played on that mode.

## Alarm Functions

---

### To Cancel Alarm 1 or Alarm 2

To cancel the alarm, press the 'Alarm' button (**Ref.8**) once for Alarm 1 or twice for Alarm 2 depending on the alarm you wish to cancel. Press down the 'Tuning/Enter' dial (**Ref.13**) to select the alarm you wish to cancel.

When "ON" flashes on the screen, use the 'Tuning/Enter' dial to switch to "OFF" and confirm this choice by pressing down the 'Tuning/Enter' dial.

### Snooze/Switch off Alarm when Sounding

When the alarm sounds, press the 'Snooze' button (**Ref.9**) to snooze for 9 minutes. The radio will go on standby mode and sound again after this 9 minutes.

To turn the alarm off completely when sounding, press the 'Standby' button (**Ref.1**). If the alarm is set to 'Daily' or expected to sound the following day from a 'Weekday' or 'Weekend' alarm, then the alarm icon will still display on the screen.

## Settings: Clock and Date

---

Once the radio has been put into DAB/DAB+ mode, the time and date should automatically set. If this does not happen or you wish to alter the time and date, follow the below guidance:

### Manually Setting the Time

To enter the radio settings, press and **hold** the 'Menu/Info' button (**Ref.2**).

To make your selection, use the 'Tune/Enter' dial (**Ref.13**) to scroll through to "Time/Date" and press down the dial to select this option.

Once this option is selected, the hour will then flash on the display screen. You can now alter the time hour with the 'Tune/Enter' dial until the required hour is displayed. To confirm the hour, press down the 'Tune/Enter' dial (**Ref.13**).

The minutes will flash on the display screen. You can now alter the time minutes with the 'Tune/Enter' dial until the required minutes are displayed. To confirm the minutes, press down the 'Tune/Enter' dial (**Ref.13**).

The time is now set and you will be able to alter the date in the next step.

### Settings: Clock and Date

---

#### Manually Setting the Date

The date can be changed after changing the time.

The year will flash on the display screen. To change the date year, scroll with the 'Tune/Enter' dial until the required year is displayed. To confirm the year, press down the 'Tune/Enter' button (**Ref.13**).

The month will flash on the display screen. Scroll with the 'Tune/Enter' dial until the required month is displayed. To confirm the month, press down the 'Tune/Enter' dial (**Ref.13**).

The day unit will then flash on the display screen. Scroll with the 'Tune/Enter' dial until the required day is displayed. To confirm the day, press down the 'Tune/Enter' (**Ref.13**).

The date is now set.

## Settings: Sleep Timer

---

This enables you to programme the radio to switch off at a specific time, up to 120 minutes from activation.

Press the 'Sleep' button (**Ref.11**).

Using the 'Tuning/Enter' dial (**Ref.13**), scroll through the options of sleep timer options from activation: OFF/5 mins/15mins/30mins/45mins/60mins/90mins or 120mins.

When the time displays that you would like to program the radio to go into standby mode, press down the 'Tuning/Enter' dial (**Ref.13**) to confirm your selection. Once selected, the system will automatically start the timer.

To turn the sleep timer off, follow the above instructions and choose "OFF" from the choices.

Once the timer has been set, the minutes will countdown on the display screen. For example, if set to turn off in 5 minutes "55" will flash, counting down to "50" then the radio will go into standby mode.

## Settings: Additional Functions

---

### System Reset

To erase all setting and preset options, perform a factory reset. This would also be advisable if you are having any functionality issues with your radio.

To perform a factory reset, press and **hold** the 'Menu/Info' button (**Ref.2**).

Use the 'Tuning/Enter' dial (**Ref.13**) to browse to the "Factory reset" option and press down the dial to select this option.

The display screen will then show "Factory reset?". To confirm the factory reset, use the 'Tuning/Enter' dial to highlight the option "Yes". Press down the 'Tuning/Enter' to confirm choice (**Ref.13**)

### SW Version – Software Version Display

To view the software version, press and **hold** the 'Menu/Info' button (**Ref.2**).

Use the 'Tuning/Enter' dial (**Ref.13**) to browse to "SW Version" and press down the dial to select the option. The software version will then display.

## Additional Features

---

### Power Supply and Batteries

The unit is mains powered by a UK Standard DC 5V 1A power plug. To make the radio portable and to use on the go, simply insert 4 x 1.5V D batteries into the battery compartment of the radio (**Ref.18**).

Ensure that you are using good quality batteries for longer battery life. It is advisable to take out the batteries when plugged into mains power.

### Headphone Jack

To begin listening to digital and FM radio with your own earphones, simply insert the 3.5mm port into the radio's headphone jack (**Ref.15**).

## Troubleshooting

Observation	Potential Cause/Solution
<b>No sound</b>	The station is not tuned in properly. Please perform a rescan for available stations or manually scroll through available stations.
<b>Buttons are not working</b>	Turn off the unit and turn on after a few seconds. Please also try unplugging/replugging the radio.
<b>FM: Static sound</b> <b>DAB: Burbling/ intermittent cut-out</b>	Signal reception is low. Adjust the aerial or move the unit to a stronger signal location. Re-scan stations and or/ a factory reset.
<b>Sound is distorted</b>	The volume is too high. Adjust the volume control.
<b>Desired station not found</b>	Weak signal. Use the manual tune function and try rescanning in a different area.
<b>Display shows "No Service"</b>	There is no DAB coverage in your area, or poor reception. Adjust the position of the aerial, or move the unit to a stronger signal location.
<b>Display is blank</b>	This may occur if the broadcaster changes the label of a service or removes a label while tuned. The radio will try to retune or perform a scan.
<b>Time and Date not setting automatically</b>	Go to DAB mode and this will automatically set once a scan is performed. Alternatively, set in your 'Settings'.
<b>Other problems/ functional issues</b>	Please perform a factory reset of the radio in your settings.



## Specification

---

Power Supply	DC 5V 1A Power Input
Battery Supply	4 x 1.5V D Batteries
Modes	DAB/DAB+ Band III 5A-13F FM (87.5MHz - 108MHz) Bluetooth
Output Connector	3.5mm Earphone Jack
Dimension (WxHxD)	28 x 18 x 8 cm
Net Weight	1.5kg

## Warranty

---

All products come with a standard 12 month warranty. All items must be registered on [www.majorityradios.co.uk](http://www.majorityradios.co.uk) for the warranty to be valid. Once on the web page, use the menu to find "Register Your Product". You will also be given the chance to extend your warranty for an additional 24 months, free of charge.

# Safety Information

## 1. Read these instructions.

- Keep these instructions. Instructions are also available for download at [www.majorityradios.co.uk](http://www.majorityradios.co.uk)
- Heed all Warnings
- Follow all instructions
- Do not clean the apparatus near or with water
- Do not block any ventilation openings. Install in accordance with the manufacturer's instructions
- Do not install near any heat sources such as radiators, heat registers, stoves, or other apparatus (including amplifiers) that produce heat.
- Protect the power from being walked on or pinched particularly at plugs, convenience receptacles, and the point where they exit from the apparatus.
- Only use attachments/accessories specified by the manufacturer.
- Unplug this apparatus during light storms or when unused for long periods of time.
- Refer all servicing to qualified service personnel.  
Servicing is required when the apparatus has been damaged in a way, such as power-supply cord or plug is damaged, liquid has been spilled or objects have fallen into the apparatus, the apparatus has been exposed to the rain or moisture, does not operate normally or has been dropped.
- No naked flame sources, such as lit candles, should be placed on the apparatus.
- Dispose of used electrical products and batteries safely according to your local authority and regulations.

## ADDITIONAL WARNINGS

The apparatus shall not be exposed to dripping or splashing and no objects filled with liquid, such as vases, shall be placed on the apparatus.  
Main plug is used to disconnect device and it should remain readily operable during intended use. In order to disconnect the apparatus from the main mains completely, the mains plug should be disconnected from the main socket outlet completely.  
Battery shall not be exposed to excessive heat such as sunshine, fire or the like.

## RECYCLING ELECTRICAL PRODUCTS

You should now recycle your waste electrical goods and in doing so help the environment.



This symbol means an electrical product should not be disposed of with normal household waste. Please ensure it is taken to a suitable facility for disposal when finished with.

**IMPORTANT:** Please read all instructions carefully before use and keep for future reference.



Risk of electric shock.  
Do not open



Read all instructions carefully before use and keep for future reference



When servicing, use only identical replacement parts



### CAUTION

RISK OF ELECTRIC SHOCK  
DO NOT OPEN



### ATTENTION

RISQUE D'ELECTROCUTION  
NE PAS OUVRIR



**IMPORTANT:** Please read all instructions carefully before use and keep for future reference



# MAJORITY

[www.majorityradios.co.uk](http://www.majorityradios.co.uk)