



# Majority Comberton

DAB/FM Radio

---

COM-DAB-BLK



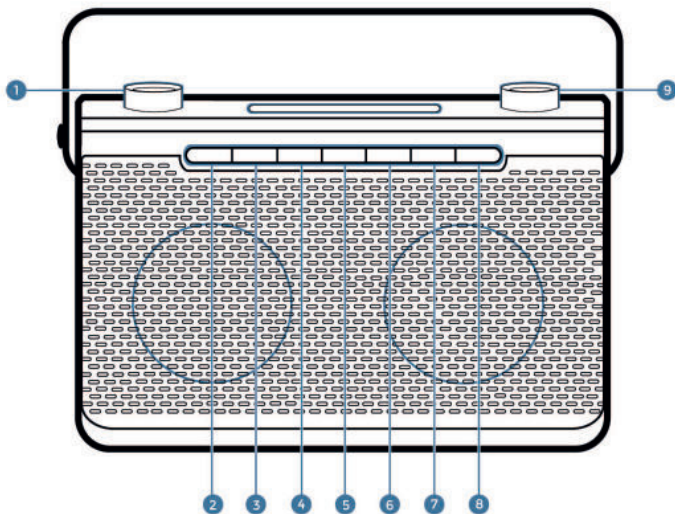
User Guide

<b>Controls and Functions</b> .....	<b>1</b>
<b>What's in the box?</b> .....	<b>3</b>
<b>Instruction Guide</b> .....	<b>4</b>
Basic Operation .....	4
DAB Radio .....	5
Set Up of the DAB Radio Preset Stations .....	6
FM Radio .....	7
Set Up of the FM Radio Preset Stations .....	9
Station information for DAB and FM Radio .....	10
Clock and Date Setting .....	12
Dual Alarm Setting and Alarm Snooze .....	14
<b>Other Functions</b> .....	<b>16</b>
<b>Technical Specifications</b> .....	<b>18</b>
<b>Warranty</b> .....	<b>18</b>
<b>Trouble Shooting Guide</b> .....	<b>19</b>
<b>Important Safety Information</b> .....	<b>20</b>



Watch video tutorials and register  
your product for a FREE 3-year warranty  
at [www.majoritytech.co.uk](http://www.majoritytech.co.uk)

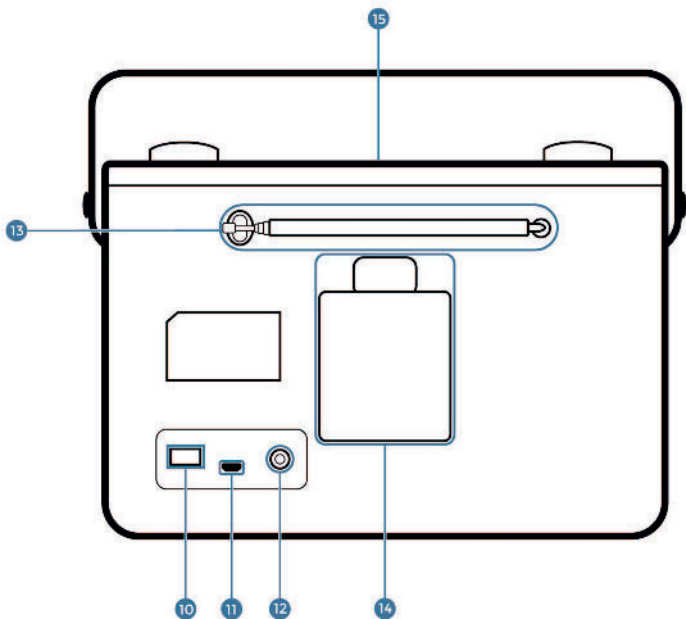
## FrontView



1. Volume +/-
2. Standby
3. Mode
4. Scan
5. Info/Menu

6. Preset
7. Alarm
8. Snooze
9. Tune +/-/Enter

## Back View



- 10. ON/OFF
- 11. USB Power Supply Port
- 12. Earphone Jack
- 13. Antenna
- 14. Battery Compartment
- 15. Display Screen

# What's in the box?

- Majority Comberton DAB/FM Clock Radio
- UK Standard Plug DC 5V 2A Power Supply
- User Guide



Please note all (Ref.) refer to Page 1 Controls and Functions mapping guide.

## Basic Operation

---

Plug the connector into the back of the system labelled USB (**Ref.11**) and the power supply into the mains.

Ensure the antenna (**Ref.13**) is extended as far as possible so that you can rotate it. This will enable you to get the best signal you can.

Switch the button on the rear of the unit to "On" (**Ref.10**).

Press the 'Standby' button to turn the unit on (**Ref.2**). It will automatically take you to DAB radio mode or the previous mode you were using. When DAB Radio is activated for the first time, it will automatically start scanning and storing all stations that have a good signal. If scanning does not automatically start press the 'Scan' Button (**Ref.4**). To scroll through the stations, use the 'Tune +/- /Enter' button (**Ref.9**). Press 'Tune +/-/Enter' (**Ref.9**) to listen to a station.

To change the mode, press the 'Mode' button (**Ref.3**). This will switch between DAB Radio and FM Radio.

The display screen will dim automatically after 10 seconds if left in standby or working mode.

### **Standby**

To place the music system in standby, press the 'Standby' button (**Ref.2**). To turn off fully, switch it off at the back of the unit (**Ref.10**) and at the mains. The cord must be out of reach of children.

## DAB Radio

---

Press the 'Mode' button (**Ref.3**) to switch to DAB Radio. On first use it will automatically scan all stations and save them.

Fully extend the antenna (**Ref.13**).

To auto scan, press the 'Scan' button (**Ref.4**) and then release. This will start scanning up the frequency band and store all stations that have good signal.

The radio will automatically save all the stations with a strong signal, up to 240 MHz. After searching has finished it will automatically play the first station stored.

To listen to all stations that have been stored twist the 'Tune +/-/Enter' dial (**Ref.9**) to scroll through them. Depress the 'Tune +/-/Enter' dial (**Ref.9**) when on the required station.

The radio will display station information when you press the 'Info/Menu' button (**Ref.5**). Press multiple times to view all information available (See page 10).

When you turn the radio on after it switching off, it will automatically tune to the same station (DAB or FM) that was last selected.

In DAB mode, the radio will synchronize with the time and date of the station.

## ***How to store a preset station***

Up to 10 stations can be set.

To store a station that you are currently playing:

Press and hold 'Preset' button (**Ref.6**). "<1: (Empty)" will show on the display.

Twist the 'Tune +/-/Enter' dial (**Ref.9**) to change the "<1" to the number you want to store the station as. Then press 'Tune +/-/Enter' dial (**Ref.9**) to save. The display will then show "Preset [1] stored".

## ***How to play a preset radio station***

Press the 'Preset' button (**Ref.6**).

Twist the 'Tune +/-/Enter' (**Ref.9**) to scroll through your preset stations. You can store up to 10.

Press 'Tune +/-/Enter' dial (**Ref.9**) to select your choice.



**IMPORTANT:** *Please make sure you have extended the antenna to its full length (Ref.13). This will then enable you to rotate it to get the best signal.*



## FM Radio

---

Press the 'Mode' button (**Ref.3**) multiple times to switch between DAB and FM. The first time you do this, the FM frequency "87.5 MHz" will be displayed on the screen.

Fully extend the antenna (**Ref.13**).

To auto scan, press and release the 'Scan' button (**Ref.4**). This will then start scanning up the frequency band and play the first station it finds with good signal.

To scan down the frequency band, press and hold the 'Scan' button (**Ref.4**) for a few seconds.

The radio will display station information when you press the 'Info/Menu' button (**Ref.5**). Press multiple times to view all information available (See page 11).

## ***FM Scan Setting***

Choose between scanning strong and weak signals (All) or only the strong stations (Only).

Press and hold the 'Info/Menu' button (**Ref.5**). To make your choice, twist the 'Tune +/-/Enter' dial (**Ref.9**) to highlight your option.

Select "FM Scan Setting" and press 'Tune +/-/Enter' dial (**Ref.9**) down. Twist the 'Tune +/-/Enter' dial (**Ref.9**) to choose between "All" or "Only". Press the 'Tune +/-/Enter' dial (**Ref.9**) down to confirm your choice.

## ***To tune a specific frequency manually***

To listen to a specific frequency, twist the 'Tune +/-/Enter' dial (**Ref.9**) to search forward and back.

## ***Mono and Stereo***

In working mode, press the 'Tune +/-/Enter' dial (**Ref.9**), to switch between 'Set to Mono' or 'Set to Stereo'.



**IMPORTANT:** *Please make sure you have extended the antenna to its full length (Ref.13). This will then enable you to rotate it to get the best signal.*

## ***How to store a preset radio station***

Up to 10 stations can be set.

To store a station that you are currently playing:

Press and **hold** 'Preset' button (**Ref.6**). "<1: (Empty)" will show on the display.

Twist the 'Tune +/-/Enter' dial (**Ref.9**) to change the "<1" to the number you want to store the station as. Then press 'Tune +/-/Enter' dial (**Ref.9**) to save. The display will then show "Preset [1] stored".

## ***How to play a preset radio station***

Press the 'Preset' button (**Ref.6**).

Twist the 'Tune +/-/Enter' (**Ref.9**) to scroll through your preset stations. You can store up to 10.

Press 'Tune +/-/Enter' dial (**Ref.9**) to select your choice.

## Station information for DAB and FM Radio

---

### **DAB Radio**

Press the 'Info/Menu' button (**Ref.5**) repeatedly to show the different programme information.

**Signal Strength:** Displays a signal bar with the strength of the current station.

**Bit Error Rate:** Provides details of the signal error rate.

**Channel and Frequency:** Displays the station's transmission channel number and frequency.

**PTY (Programme Type):** Shows the type and description of the program provided by the DAB station.

**Time and Date:** Displays the time and date information provided by the broadcaster.

**Bit Rate:** The data rate which the signal is being transmitted.

**Dynamic Label Segment (DLS):** Displays scrolling text information supplied by the broadcaster.

## ***FM Radio***

Press the 'Info/Menu' button (**Ref.5**) repeatedly to show the different programme information.

**Programme Type:** Displays a description of the type of programme provided by the broadcaster.

**Signal Strength:** Displays a signal bar with the strength of the current station.

**Time and Date:** Displays the time and the date.

**Frequency:** Displays the station's transmission frequency.

**Audio Type:** Displays the audio type of the station you are listening to. It will either be stereo or mono.

**Radio Text:** Displays scrolling text information supplied by the broadcaster.

## Clock and Date Setting

---

### *Manually Setting the Time*

The time will automatically update after the first use of DAB Radio. However, you can still set the time manually.

Ensure the unit is turned on.

To make your selection, twist the 'Tune +/-/Enter' dial (**Ref.9**) to choose your option.

Select "Time/Date" and press the 'Tune +/-/Enter' dial (**Ref.9**).

The hour will flash on the display screen.

Twist the 'Tune +/-/Enter' (**Ref.9**) dial until the required hour is displayed.

To confirm the hour, press 'Tune +/-/Enter' dial (**Ref.9**) down.

The minutes will flash on the display screen. Twist the 'Tune +/-/Enter' dial (**Ref.9**) until the required minutes are displayed.

To confirm the minute, press 'Tune +/-/Enter' dial (**Ref.9**).  
The time is now set.

## ***Manually Setting the Date***

The date can be changed after changing the time.

The year will flash on the display screen. Twist the 'Tune +/-/Enter' dial (**Ref.9**) until the required year is displayed.

To confirm the year, press the 'Tune +/-/Enter' dial (**Ref.9**).

The month will flash on the display screen. Twist the 'Tune +/-/Enter' dial (**Ref.9**) until the required month is displayed.

To confirm the month, press 'Tune +/-/Enter' dial (**Ref.9**).

The day will then flash on the display screen. Twist the 'Tune +/-/ Enter' dial (**Ref.9**) until the required date is displayed.

To confirm the date, press 'Tune +/-/Enter' dial (**Ref.9**).

## Dual Alarm Setting

---

Press the 'Alarm' button (**Ref.7**) once for Alarm 1 or twice for Alarm 2. Press the 'Tune +/-/Enter' dial (**Ref.9**) to confirm.

To turn the alarm on or off, twist the 'Tune +/-/Enter' dial (**Ref.9**) so that "ON" is flashing and press the 'Tune +/-/Enter' dial (**Ref.9**) to confirm.

The hour digits for the alarm will flash. Twist the 'Tune +/-/Enter' dial (**Ref.9**) to change the hour and press 'Tune +/-/Enter' dial (**Ref.9**) to confirm.

Twist the 'Tune +/-/Enter' dial (**Ref.9**) to change the minutes and press 'Tune +/-/Enter' dial (**Ref.9**) to confirm.

Twist the 'Tune +/-/Enter' dial (**Ref.9**) to change the volume and press 'Tune +/-/Enter' dial (**Ref.9**) to confirm.

Twist the 'Tune +/-/Enter' dial (**Ref.9**) to change between which sound you would like: Alarm, DAB or FM Radio and press the 'Tune +/-/Enter' dial (**Ref.9**) to confirm.

To set Alarm 2, follow Alarm 1 instructions but press the 'Alarm' button (**Ref.7**) twice.

NOTE: You can press the 'Info/Menu' (**Ref.5**) button to go back to the previous step when programming the alarm.



## **To turn off Alarm 1 or Alarm 2**

Press the 'Alarm' button (**Ref.7**) once for Alarm 1 or twice for Alarm 2. Press the 'Tune +/-/Enter' dial (**Ref.9**) to confirm.

To turn the Alarm on or off, twist 'Tune +/-/Enter' dial (**Ref.9**) so that "OFF" is flashing and press the 'Tune +/-/Enter' dial (**Ref.9**) to confirm.

## **Alarm Sound and Snooze**

---

### ***Snooze/Switch off Alarm when Sounding***

When the alarm sounds, press the 'Snooze' button (**Ref.8**) to snooze for 9 minutes. The radio will go into standby mode.

To turn the alarm off completely when sounding, press the 'Standby' button (**Ref. 2**).



**IMPORTANT:** *Please make sure you have extended the antenna to its full length (Ref.13). This will then enable you to rotate it to get the best signal.*

## Other Functions

---

### ***Sleep Setting***

This enables you to programme the radio to switch off at a specific time, up to 120 minutes from activation.

Press and **hold** the 'Alarm' button (**Ref.7**).

Choose from 120/90/60/45/30/15/5 mins or OFF using 'Tune +/-/Enter' dial (**Ref.9**).

When your choice is displayed, press the 'Tune +/-/Enter' dial (**Ref.9**) button. The system will automatically start the timer.

To turn the sleep timer off, follow the above instructions and choose "OFF" from the choices.

Once the timer has been set, the minutes will countdown on the display screen. For example, if set to turn off in 5 minutes, "55" will flash, counting down to "50" when the radio will go into standby mode.

## ***System Reset***

Press and **hold** the 'Info/Menu' button (**Ref.5**).

Twist the 'Tune +/-/Enter' dial (**Ref.9**) to highlight "Factory reset" and press the 'Tune +/-/Enter' dial (**Ref.9**). The display screen will show "Factory reset".

Use the 'Tune +/-/Enter' dial (**Ref.9**) dial to choose "Yes" or "No". Press the 'Tune +/-/Enter' dial (**Ref.9**) to confirm.

## ***System Version – System Version***

Press and hold the 'Info/Menu' button (**Ref.5**).

Use the 'Tune +/-/Enter' dial (**Ref.9**) to select "System Version".

Press the 'Tune +/-/Enter' dial (**Ref.9**) to confirm.

## Technical Specifications

---

Power supply:	In-built battery
Mode:	FM(87.5MHz – 108MHz DAB 174-240MHz)
Output Connector:	Earphone jack
Aerial:	Integral telescopic aerial

### ***Power Supply and Batteries***

The unit is powered and charged by UK Standard Plug DC 5v. The unit is also portable when powered by 4 x C Batteries (Not Supplied). These can be inserted into the battery compartment on the back of the unit (**Ref.14**).

## Warranty

---

All products come with a standard 12 month warranty. All items must be registered on [www.majorityradios.co.uk](http://www.majorityradios.co.uk) for the warranty to be valid. Once on the web page, use the menu to find “register your product”. You will also be given the chance to extend your warranty for an additional 24 months, free of charge.

# Troubleshooting Guide

Observation	Potential cause/solution
No sound	<p>The station is not tuned in. Fine tune the station.</p> <p>The volume is set to a low position. Increase the volume.</p> <p>Headphones may be connected. Disconnect the headphones.</p>
Buttons are not working	Turn off the unit and turn on after a few seconds.
FM: Static sound DAB: Burbling/ intermittent cut-out	<p>Signal reception is low. Adjust the aerial or move the unit to a stronger signal location.</p> <p>Re-scan stations.</p>
Sound is distorted	The volume is too high. Adjust the volume control.
Desired station not found	Weak signal. Use the manual tune function.
Display shows "No Service"	There is no DAB coverage in your area, or poor reception. Adjust the position of the aerial, or move the unit to a stronger signal location.
Display is blank	This may occur if the broadcaster changes the label of a service or removes a label while tuned. The radio will try to retune or perform a scan.
Time and Date not setting automatically	For the time and date to set automatically you need to turn on the system and switch to DAB radio and let this scan. Then press the 'Power Mode' button and the system will go into standby. The date and clock will update automatically.

# IMPORTANT SAFETY INFORMATION

1. Read these instructions.
2. Keep these instructions. Instructions are also available for download at [www.majoritytech.co.uk](http://www.majoritytech.co.uk)
3. Heed all Warnings.
4. Follow all instructions.
5. Do not clean the apparatus near or with water.
6. Clean only with a dry cloth.
7. Do not block any ventilation openings. Install in accordance with the manufacturer's instructions.
8. Do not install near any heat sources such as radiators, heat registers, stoves, or other apparatus (including amplifiers) that produce heat.
9. Protect the power cord from being walked on or pinched particularly at plugs, convenience receptacles, and the point where they exit from the apparatus.
10. Only use attachments/accessories specified by the manufacturer.
11. Unplug this apparatus during light storms or when unused for long periods of time.
12. Refer all servicing to qualified service personnel.  
Servicing is required when the apparatus has been damaged in any way, such as power-supply cord or plug is damaged, liquid has been spilled or objects have fallen into the apparatus, the apparatus has been exposed to rain or moisture, does not operate normally or has been dropped.
13. No naked flame sources, such as lit candles, should be placed on the apparatus.
14. Dispose of used electrical products and batteries safely according to your local authority and regulations.

## ADDITIONAL WARNINGS

The apparatus shall not be exposed to dripping or splashing and no objects filled with liquid, such as vases, shall be placed on apparatus.

Main plug is used to disconnect device and it should remain readily operable during intended use. In order to disconnect the apparatus from the main mains completely, the mains plug should be disconnected from the main socket outlet completely.

Battery shall not be exposed to excessive heat such as sunshine, fire or the like.

## RECYCLING ELECTRICAL PRODUCTS

You should now recycle your waste electrical goods and in doing so help the environment.



This symbol means an electrical product should not be disposed of with normal household waste. Please ensure it is taken to a suitable facility for disposal when finished with.

**IMPORTANT:** Please read all instructions carefully before use and keep for future reference



Risk of electric shock.  
Do not open



Read all instructions carefully before use and keep for future reference



When servicing, use only identical replacement parts



**CAUTION**

RISK OF ELECTRIC SHOCK  
DO NOT OPEN



**ATTENTION**

RISQUE D'ELECTROCUTION  
NE PAS OUVRIR



**IMPORTANT:** Please read all instructions carefully before use and keep for future reference



**MAJORITY**

[www.majorityradios.co.uk](http://www.majorityradios.co.uk)