

# D 8 0

USER MANUAL

MAJORITY

---

HOME AUDIO • CAMBRIDGE

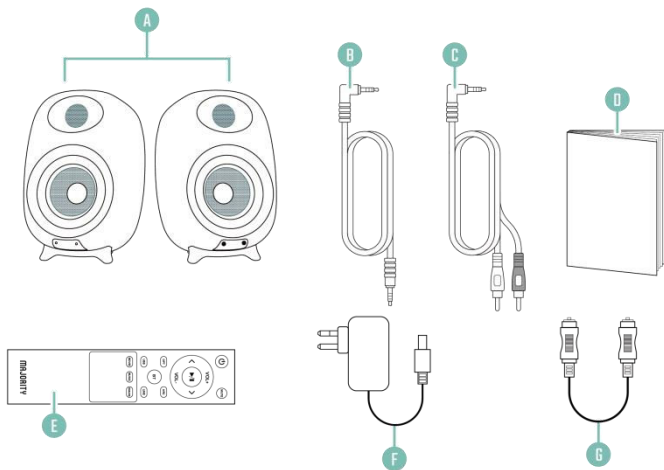
Contents .....	2
Box Contents .....	3
Controls & Functions .....	4
Setting up your Majority D80 Speakers .....	7
Basic Operation.....	8
Bluetooth, USB Controls .....	9
RCA and Optical Modes.....	10
Bluetooth Mode .....	11
USB Mode .....	12
Troubleshooting.....	14
Spec & Warranty.....	15
Safety Information .....	16

**3** | YEAR  
WARRANTY

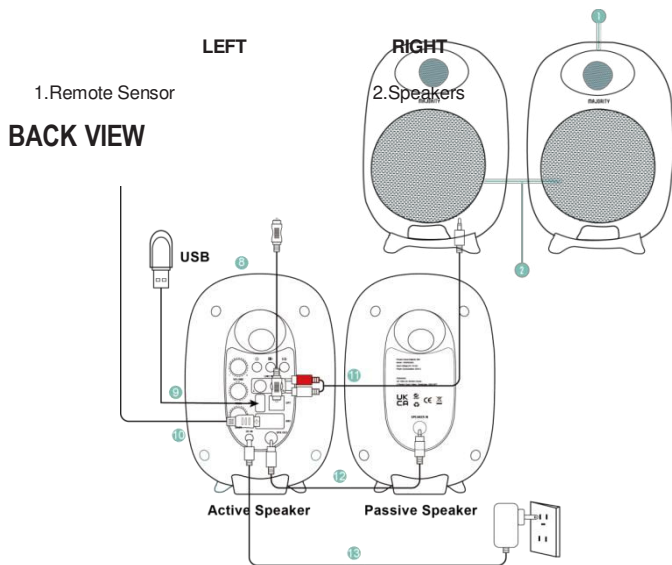
Register your product online for a FREE 3 year  
extended warranty at: [www.majority.co.uk](http://www.majority.co.uk)

## WHAT'S IN THE BOX

- A. Majority D80 Bookshelf Speakers
- B. 3.5mm to 3.5mm AUX Cable
- C. 3.5mm to RCA Cable
- D. Instructions Guide
- E. Remote Control
- F. Power Adapter
- G. Digital Optical cable



## FRONT VIEW



8.Digital Optical cable

9.USB

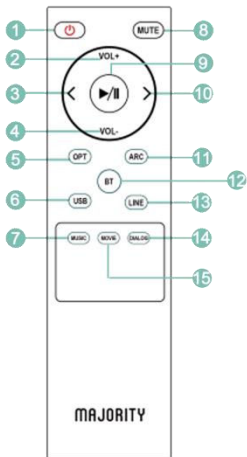
10.High speed ARC cable

13.Power adapter

11.Stereo RCA to 3.5mm audio

12.RCA to RCA audio cable

## REMOTE CONTROL



- |    |                |
|----|----------------|
| 1  | Power          |
| 2  | Volume up      |
| 3  | Previous track |
| 4  | Volume down    |
| 5  | Optical mode   |
| 6  | USB mode       |
| 7  | Music mode     |
| 8  | Mute           |
| 9  | Play/pause     |
| 10 | Next track     |
| 11 | ARC mode       |
| 12 | BT mode        |
| 13 | line mode      |
| 14 | Dialog mode    |
| 15 | Movie mode     |





### **Connecting and powering the unit**

Using the power cord provided, plug one end into the back of the primary speaker and plug the other end into a mains socket. Switch the unit on at the back of the primary speaker .

Connect the two speakers together via the speaker connector cable. To do this, plug the left speaker connector cable plug into the right (primary) speaker connector.

### **Switch on your Majority D80 Speakers**

Press the  button to switch on the speakers. Press the  button to switch the speakers off.

### **Remote Power**

Remove the battery cover of the remote control. Insert 2 x AAA batteries (excluded).  
Replace battery cover.

Note: when using the remote control, ensure that you are pointing at the remote sensor otherwise the unit may not respond to key presses.

## Basic controls

Volume, treble and bass can be changed on all speaker modes.

On the remote control, use the Vol+ & Vol- buttons to control the volume. Press MUTE to mute the audio.

Alternatively on the rear of the main speaker, use the Volume dial to increase and decrease volume.

Use the Treble & Bass dials on the rear of the main speaker to control the bass and treble settings of the sound

In Bluetooth or USB mode, use the ◀ ▶ buttons to skip tracks and rewind▶ or fast forward.

## Switching mode

Select the correct mode using the Mode option buttons on the remote control, or press the 'input' button on the rear of the main speaker.

The mode selected is indicated by LED light colour on the front of the main speaker:

Dark Blue – Bluetooth

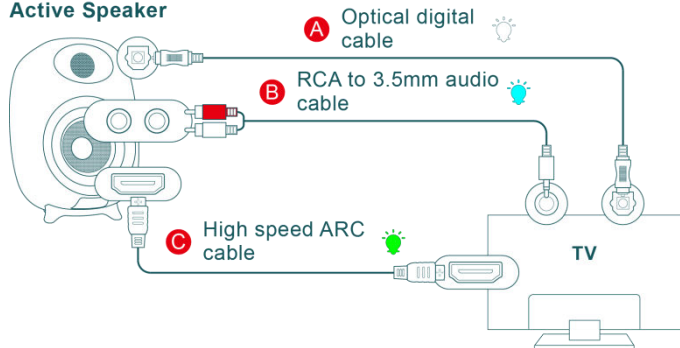
White – Optical

Light Blue – Line In/RCA

Purple – USB

Green – HDMI Arc



**Active Speaker**

A. Set the TV's audio output to optical or PCM.

B. Set Connecting using a RCA to 3.5mm audio cable. Select RCA mode.

C. Set the TV's audio output to HDMI or PCM.



To connect an external device to the D80 speakers, ensure that the speakers are in 'Bluetooth' mode. Select 'Bluetooth' mode manually by using the 'BT' button on the remote control, or pressing the 'input' button on the main speaker.

The corresponding mode indicator light lights up dark blue and will flash.

Switch Bluetooth on for your external device. Select 'Majority D80' from the list of devices. When your external device is connected, you will hear an audible sound to indicate successful connection. The indicator light will remain static. You can now play audio through the speakers.

When Bluetooth is disconnected, you will hear an audible sound to indicate successful disconnection, plus the indicator light will resume flashing.

## USB

To use USB mode, ensure that the speakers are in 'USB' mode. Select 'USB' mode manually by using the 'USB' button on the remote control, or pressing the 'input' button on the main speaker.

The corresponding mode indicator light lights up green.

Insert a USB drive into the USB port and use the remote control functions to play, pause and navigate through files.

Observation	Potential Cause/Solution
<b>No power/function</b>	<p>Check whether the power is switched on or off at the wall.</p> <p>Check that the power adaptor is properly connected to the power outlet.</p>
<b>No sound</b>	<p>Check whether unit is set to MUTE.</p> <p>Check whether MODE is correctly selected.</p> <p>Turn up the volume on the speakers or on your external device.</p> <p>Check that cables are properly installed.</p>
<b>Function disturbance</b>	<p>Switch off and unplug the unit. Leave it for 2 minutes and switch it on again.</p>
<b>Bluetooth not connecting</b>	<p>Ensure that you are on Bluetooth mode on the speaker and the Bluetooth on your device is switched on. Select the Bluetooth device 'D40' and you should now be able to play audio.</p>

## SUPPORT

If you require further assistance with your new soundbar, please contact our support team on the Majority website: [www.majority.co.uk/support](http://www.majority.co.uk/support)



## SPECIFICATION

<b>Power Supply</b>	100-240V/50-60Hz
<b>Mode:</b>	Bluetooth Line in ARC USB reader Optical
<b>Power consumption</b>	0.5W (standby mode)
<b>Dimensions</b>	230 x 155 x 155 mm
<b>Weight</b>	2.45 kg
<b>Speakers</b>	2*4" full range + 2 * 1" tweeter
<b>Bluetooth Version</b>	5.0
<b>Bluetooth range</b>	up to 10 meters
<b>Compatible file types</b>	MP3, WMA, FLAC, MAV, APE
<b>Maximum compatible USB storage</b>	128GB

## WARRANTY

All products come with a standard 12 month warranty. All items must be registered on [www.majority.co.uk](http://www.majority.co.uk) for the warranty to be valid. Once on the web page, use the menu to find "Register Your Product". You will also be given the chance to extend your warranty for an additional 24 months, free of charge.

1. Read these instructions.
2. Keep these instructions. Instructions are also available for download at [www.majority.co.uk](http://www.majority.co.uk)
3. Heed all Warnings
4. Follow all instructions
5. Do not clean the apparatus near or with water
6. Do not block any ventilation openings. Install in accordance with the manufacturer's instructions
7. Do not install near any heat sources such as radiators, heat registers, stoves, or other apparatus (including amplifiers) that produce heat.
8. Protect the power from being walked on or pinched particularly at plugs, convenience receptacles, and the point where they exit from the apparatus.
9. Only use attachments/accessories specified by the manufacturer.
10. Unplug this apparatus during light storms or when unused for long periods of time.
11. Refer all servicing to qualified service personnel.  
Servicing is required when the apparatus has been damaged in a way, such as power-supply cord or plug is damaged, liquid has been spilled or objects have fallen into the apparatus, the apparatus has been exposed to the rain or moisture, does not operate normally or has been dropped.
12. No naked flame sources, such as lit candles, should be placed on the apparatus.
13. Dispose of used electrical products and batteries safely according to your local authority and regulations.

### ADDITIONAL WARNINGS

The apparatus shall not be exposed to dripping or splashing and no objects filled with liquid, such as vases, shall be placed on the apparatus.

Main plug is used to disconnect device and it should remain readily operable during intended use. In order to disconnect the apparatus from the main mains completely, the mains plug should be disconnected from the main socket outlet completely.

Battery shall not be exposed to excessive heat such as sunshine, fire or the like.

### RECYCLING ELECTRICAL PRODUCTS



You should now recycle your waste electrical goods and in doing so help the environment.

This symbol means an electrical product should not be disposed of with normal household waste.

Please ensure it is taken to a suitable facility for disposal when finished with.

**IMPORTANT:** Please read all instructions carefully before use and keep for future reference.



Risk of electric shock.

Do not open



Read all instructions carefully before use

and keep for future reference



When servicing, use only identical replacement parts



### CAUTION

RISK OF ELECTRIC SHOCK  
DO NOT OPEN



### ATTENTION

RISQUE D'ELECTROCUTION  
NE PAS OUVRIR



**IMPORTANT:** Please read all instructions carefully before use and keep for future reference





MAJORITY

[WWW.MAJORITY.CO.UK](http://WWW.MAJORITY.CO.UK)