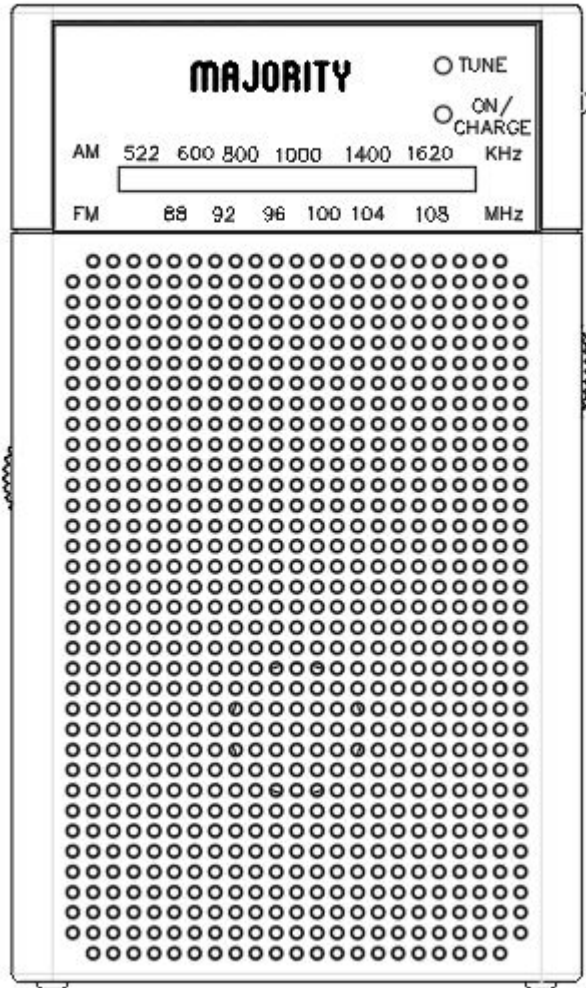
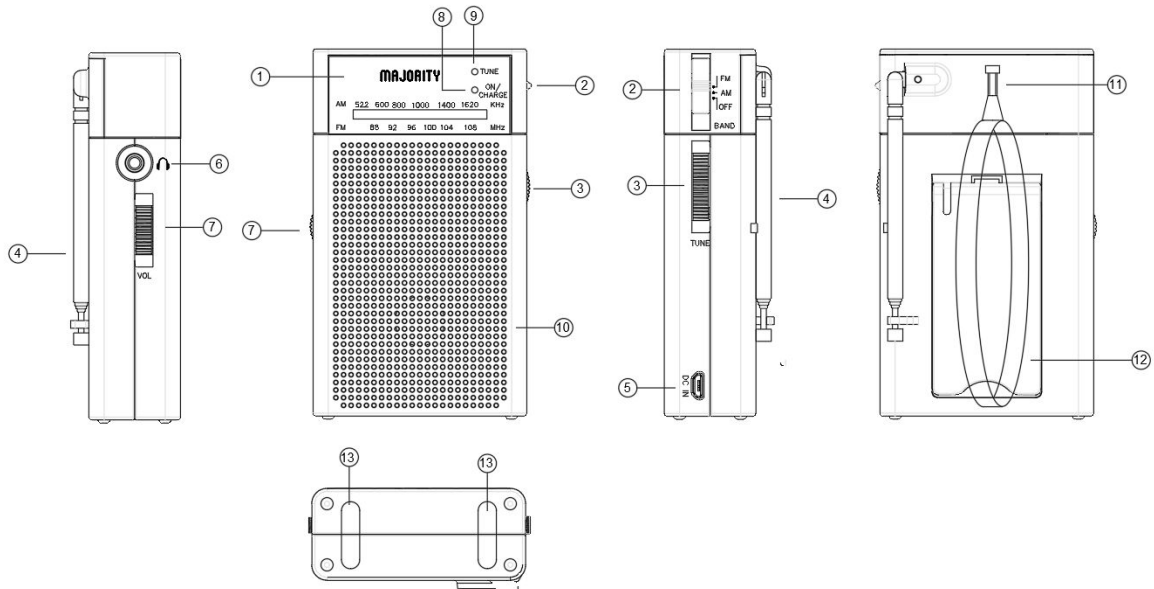


Majority Belford Go AM/FM RADIO



CONTROLS DIAGRAM:



- | | |
|---|---|
| <ol style="list-style-type: none"> 1. Display 2. Radio Frequency Scale 3. Off/AM/FM Switch 4. Tuning Control 5. Telescopic Antenna 6. Charging Port 7. Earphone Jack | <ol style="list-style-type: none"> 8. Volume Control 9. ON/CHARGE Light 10. TUNE light 11. Speaker Grill 12. Hand Strap 13. Support Clip 14. EVA Non-Slip Feet |
|---|---|

CONTROLS GUIDE:

Select the FM or AM function to power on, select OFF function to power off.

Tune to your desired radio station with the Tuning Control. Use control slowly to achieve best range of station reception being picked up. Optimum station signal is achieved when the TUNE light turns green.

To enhance the reception and signal strength for FM stations, extend the Telescopic Antenna fully. The AM antenna is positioned inside the radio, to enhance the reception for an AM station reposition the radio until an optimal signal strength is achieved.

Charge the device using supplied micro-USB cable, connected to power source. The "red light" is on during charging, and the "green light" is on after full charge achieved. Full charge is achieved within 3 hours.

When the battery is low and runs to zero, the device will shut down. If you do not use the unit for a long time, charge it at least once a month to protect the battery and extend its life.

3

Earphone jack will accept standard 3.5mm audio connection.

NOTE: Once the earphone is inserted, the speaker will be muted automatically.

To use the support clip, pull the clip outwards to extended position. Push clip back to close.

SPECIFICATIONS:

MODEL : Majority Belford Go

RANGE (UK) :

AM: 522-1620KHZ

FM: 88-108MHZ

RANGE (US) :

AM: 520-1710KHZ

FM: 88-108MHZ

SPEAKER: Φ 57mm, 8 Ω

EARPHONE JACK: Φ >3.5mm

Integrated rechargeable battery: 500mA (3.7V)

The cycle life of the battery: \geq 300 times

Batteries Size : 121(H)x70(W)x35(T)mm

WEIGHT : 122g (with battery)

USB cable DC 5V with micro socket

