

DAB-624

DAB/MPCD Boombox with Radio



Instruction Manual

POWER SUPPLY

USING AC

Before use, check that the rated voltage of your unit matches your local voltage.

Note: Plug is used as the disconnect device.

The disconnect device shall remain readily operable.

USING BATTERIES

Disconnect the AC power cord from the AC inlet of the unit. Battery power is cut automatically by the cord while it is connected.

When the volume decrease, or the sound distorts, replace all of the batteries with new ones.

Insert 6 x 1.5V (R14/UM2/C) batteries.

Attention should be drawn to be the environmental aspects of battery disposal. Batteries shall not be exposed to excessive heat such as sunshine, fire or the like.

CAUTION! The apparatus shall not be exposed to dripping or splashing and that no objects filled with liquids, such as vases, shall be placed on the apparatus.

TECHNICAL SPECIFICATION

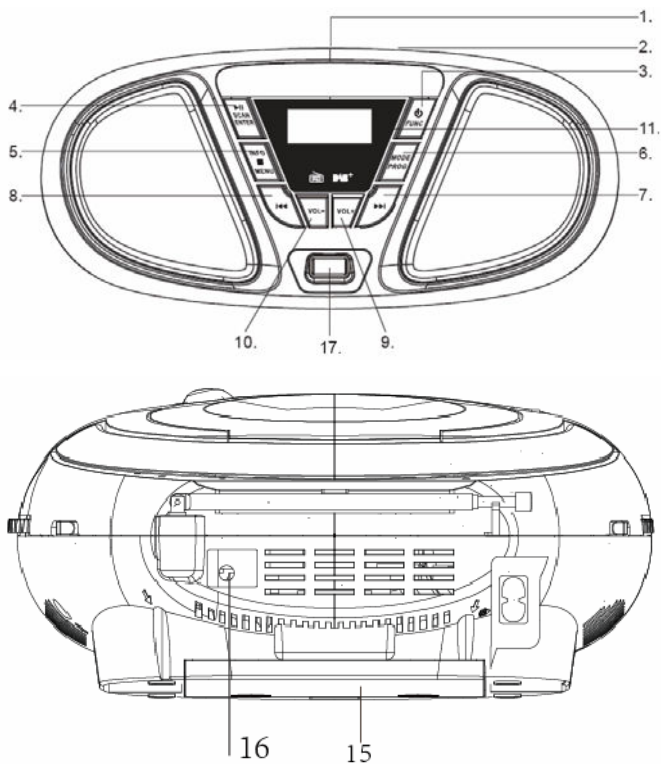
DAB: 174.928- 239.2MHz

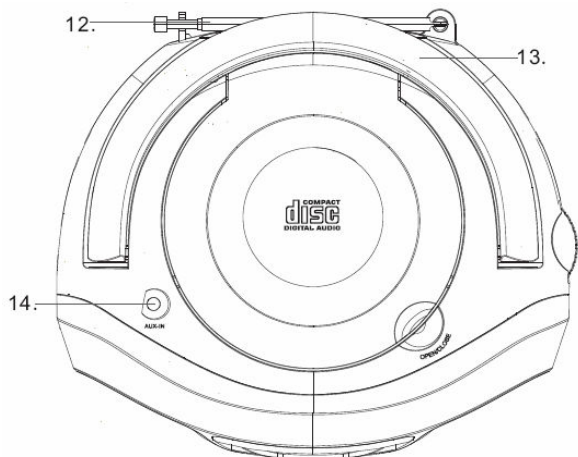
FM: 88–108MHz

Power source: AC 100-240V~ 50/60Hz, DC: 9V

USB Port: 5VDC,200mA
Dimensions: 23.8x20.5x12 CM
Weight: 0.945 KG

LOCATION CONTROLS





Controls:

1. CD Compartment
2. CD Open/Close
3. POWER ON/OFF or
MODE Switch button
4. Play/Pause/Scan/Enter
5. Info/Stop/Menu Button
6. Preset/Prog Button
7. SKIP+ or TUN+ Button
8. SKIP- or TUN- Button
9. Volume Up (VOL+) Button
10. Volume Down (VOL-)Button
11. LCD Screen
12. FM Antenna
13. Handle
14. AUX-IN Jack
15. Battery Compartment
16. Earphone Jack
17. USB Port

OPERATION

Listening to Music MP3/CD Disc

1. Insert the main plug into a main supply power outlet. Press and hold the Power on/off Button to turn on the unit.

2. Press the **MODE** button to CD MODE.
3. To open the CD door by lifting the Open/Close area near the CD door. Insert disc into the disc compartment with the title side upwards.
4. The total playing track number will show on the LCD display, unit will begin to play the MP3/CD disc.
5. Press SKIP FORWARD button / SKIP BACKWARD button to jump to next or previous track.
6. Press and hold SKIP FORWARD button / SKIP BACKWARD button to search rapidly within a track to locate a specific passage.
7. During MP3/CD play, press the PLAY/PAUSE button to pause MP3/CD playing and the play indicator dot will blinking. Press again to resume.
8. Press the STOP button to stop the MP3/CD playing, and total number of track will show on the LCD display.
9. After all tracks have been played, the MP3/CD player will stop automatically, and total number of track will also show on the LCD display.

NOTES:

Do not open the CD compartment while the disc is playing or rotating.

This unit can play Music CD Disc format.

To Program Specific Track (up to 20 Tracks)

1. Load the CD you wish to program.

2. Make sure the CD is in stop mode.
3. Press the PROG button once, "PROGRAM INPUT P-01 01" will show on the LCD display.
4. Press the SKIP + button / SKIP - button until the desired track number is reached.
5. Press the PROG button to store the selection.
6. Repeat (4) & (5) steps until you have entered all the tracks.
7. Press the Play button to play the Program tracks.
8. After all memory tracks have been played, the CD player will stop automatically.

To Repeat Program tracks

1. During program play, press and hold the **Preset** button one time to repeat the specifically programmed track ("Rep one" show on the LCD display)
2. Press and hold the **Preset** button again will repeat all the programmed tracks ("Rep all" show on the LCD display)
3. Press and hold the **Preset** button once again to cancel repeat mode.

REPEAT 1/ REPEAT ALL/RANDOM PLAYBACK

1. During CD playback, press SKIP FORWARD button / SKIP BACKWARD button to select a track you wish to repeat.
2. Press and hold the **Preset** button a first time, you can see "Rep one" showed on the display, unit will play the desired track repeatedly.
3. During CD playback, press **Preset** button continuously until

the “**Rep all**” appear on the LCD display. The unit will play all the tracks on the disc repeatedly.

4. Press the **Preset** button again, “**Random**” will be showed on the LCD Screen, the unit will randomly play all the tracks in the CD continuously.
5. Press the **Preset** button again, “**Intro**” will be showed on the LCD Screen. The unit will play the beginning 10 seconds of all tracks on the disc.
6. To cancel the setting, press the **Preset** button continuously until the “[CD]” appear on the LCD display.

Listen to music / radio through headphones or earphones

There is a headphone jack on the back of unit. Insert the headphone/earphone plug of headphone or earphone into this jack and enjoy music or the radio in private.

Play other audio devices though our set (Auxiliary Input)

You can enjoy the music of a digital MP3 player, computer or any other external audio device (with a 3.5mm stereo jack) though the set.

1. Insert an audio cable (not included) with 3.5mm plug on each end into the HEADPHONES jack or LINE OUT jack of

your MP3 player or computer, and the other into the AUX-IN jack of the set. This cable is available in any electronic store.

2. Connect the supplied AC power cord or batteries.
3. Press the **MODE** button switch to AUX MODE.
4. Turn on your MP3 player or computer, adjust the VOLUME control of the MP3 player/computer and the set to the desired level.
5. Press Power button to standby mode.

Listening to MP3 from USB

1. Insert the main plug into a main supply power outlet.
2. Press **MODE** button switch to USB MODE.
3. Insert the USB device to USB port. And play MP3 music.
4. Press and hold the Power on/off Button to turn off the unit power.

Bluetooth Pairing Guide

1. Insert the main plug into a main supply power outlet.
2. Press and hold the Power on/off button for more than 1 sec. to power off.
3. Press the **MODE** button switch to BT MODE.
4. Turn on the Bluetooth mode of your Bluetooth device and enable the search or scan function to find the "Majority DAB Boombox", select "Majority DAB Boombox" from the

device list when it appears on your device screen, click "**Majority DAB Boombox**" to pair (link) the unit with your device, "tap-tap-tap" can be heard and unit will playback the music from your Bluetooth device.

5. After successfully pairing (linking), you can press the PLAY/PAUSE button to play music from your Bluetooth device wirelessly to the speaker.
6. Press the VOL-/+ to adjust volume sound level.
7. You can also press PLAY/PAUSE button to play or pause the music playback.
8. Press SKIP + button / SKIP - button to skip previous or next song.
9. If turning on your Bluetooth device to Bluetooth status first, the turning to BT mode, tap-tap-tap can be heard and you can play the music from your Bluetooth device.

Listening to the FM Radio

1. Insert the main plug into a main supply power outlet.
2. Press the **MODE** button switch to FM MODE, "FM MODE" will show on the LCD display.
3. Press the SKIP (TUN) + or SKIP (TUN) - button to change the frequency in 0.05MHz steps.
4. Press and hold the **SCAN** button to start the channel search. The radio stops if a station signal is received.
5. Press the **VOL-** or **VOL+** button to the desire volume

sound.

6. Press INFO button to change the type of information show on the display (frequency/audio status/time/date).
7. Press and hold POWER on/off button to turn off radio mode.

To obtain the best FM reception, fully extend the FM antenna. Avoid close proximity to the speakers and other electrical appliance.

Listening to the DAB Radio

1. Insert the main plug into a main supply power outlet. And fully extend the telescopic antenna.
2. Press and hold the Power on/off button to power on.
3. Press the **MODE** button switch to select DAB MODE, "**DAB MODE**" will show on the LCD display. When the radio is switched on for the first time, it will automatically do a full scan of DAB station.
4. Press the SKIP (TUN) + or SKIP (TUN) - button in DAB mode to navigate available DAB stations.
5. In order to make new DAB station, Press the SCAN button to start a full scan of DAB channels to search for available stations.
6. Press the VOL- or VOL+ button to the desire volume sound.
7. Press INFO button to change the type of information show on the display (frequency /date).
8. Press and hold the POWER on/off button to turn off DAB

mode.

Noe: If there is no DAB reception at any time, change the position of the unit or adjust the antenna. Press SCAN button to start a new search.

Storing FM or DAB stations

You can store up to 20 pre-set FM stations or DAB stations.

1. Select a FM or DAB station.
2. Press and hold the **PROG** button, "Preset Store" will show on the LCD display.
3. Press SKIP-/+ buttons to select the preset position, then press **ENTER** button to save the station to the desired preset.
4. Repeat steps 1-3 to store more FM or DAB station.

NOTE: This unit can store 20 stations for FM and 20 stations for DAB.

Selecting pre-set FM or DAB stations

1. When unit in FM or DAB mode, press **PROG** button, "Preset Recall" will appear on the LCD display.
2. Press the SKIP-/+ buttons to navigate through the preset FM or DAB stations, and press **ENTER** button to recall the current preset station.

GENERAL MANUAL SETTING

FM mode:

1. Press and hold MANUE button, you can press SKP-/+ buttons to select Scan setting / Audio setting / System setting/Preset Store/Preset Recall
2. Press SKP-/+ buttons and press ENTER button to select **Scan setting**,
Press SKP-/+ buttons and press **ENTER** button to select ALL Station or Strong Station.
3. Press SKP-/+ buttons and press **ENTER** button to select **Audio setting**,
Press SKP-/+ buttons and press **ENTER** button to select Stereo or Mono.
4. Press SKP-/+ buttons and press **ENTER** button to select **System setting**.
Press SKP-/+ buttons and press **ENTER** button to select Time/Date/Backlight/Contrast Set/Language/Factory/System Version.

DAB mode:

1. Press and hold MENU button, you can press SKP-/+ buttons to select Station List/Full scan / Manual tune / Prune Invalid / System setting.

2. Press SKP-/ + buttons and press ENTER button to select **Scan** setting.
3. Press SKP-/ + buttons and press ENTER button to select **Manual tune** the DAB station.
4. Press SKP-/ + buttons and press ENTER button to select whether **Prune** station (yes or no).

System setting when FM/DAB/AUX mode:

1. Press and hold MENU button, you can press SKP-/ + buttons and press the ENTER button to select **System** setting.
2. Press SKP-/ + buttons and press Select button to select **Language** setting (from English / Deutsch / Francais / Norsk sprak / Italiano / Svenska / Dansk / Polski / Suomi), press **ENTER** button to confirm current operation.
3. Press SKP-/ + buttons and press **ENTER** button to select **Factory Reset** setting (YES or NO), press ENTER button to confirm current operation.
4. Press SKP-/ + buttons and press **ENTER** button to select **System Version** to show version name.
5. Press SKP-/ + buttons and press **ENTER** button to select **Backlight Setting/Timeout Setting/Contrast Setting**.

Troubleshooting

CD does not play

- (1) Check that you are in CD mode. If you are not already in CD mode, press Power button to function select status, then press the Mode button to select CD mode.
- (2) When unit in CD mode, you can see the total number of the tracks, please press PLAY/PAUSE button to play the CD disc.
- (3) Take out the CD and check that it is not marked or scratched. Damaged CDs cannot be played in the CD boombox or may skip or not rotate correctly in the CD compartment.
- (4) Please check that you are using an original audio CD and not a copy. Often copied CDs will not play.

The MODE buttons do not respond.

- (1) Check that mains power wall socket is switched on.
- (2) Check that power cord plug inserted into the AC socket of the unit fully.
- (3) Check that you are trying to use the MODE buttons for the mode that you are in.
- (4) If you are using batteries, they may be exhausted and need to be replaced.
- (5) If you are using mains power, unplug the mains power. Leave the boombox for 3 minutes and then reconnect the power.

Radio reception is poor.

- (1) Check that you have extended the wire radio aerial in a vertical position.
- (2) Press SCAN button or TUN+/- button to tune radio station.
- (3) Check there are no other electrical appliances within 1 meter of your boombox, which may be causing interference.
- (4) Try moving your boombox to another location.

Remove a CD

- (1) Lift up the lid of the CD player on the front edge, where is a scooped recess.
- (2) Put your thumb on the central spindle and put your fingers under the outside edge of the CD and lift off and remove the CD from the compartment.
- (3) Close the lid of the CD player.

Caring for CDs

- (1) Do NOT touch the playback side of the CD.
- (2) Do NOT attach paper or tape or any other material to the disc.
- (3) Fingerprints and dust on the disc will cause sound deterioration. Wipe the disc from the centre outwards with a soft cloth. Always keep the disc clean.
- (4) If dust or marks cannot be removed with a soft

cloth, wipe the disc lightly with a slightly damp soft cloth and then wipe with a soft dry cloth.

- (5) Do NOT use any type of solvent, commercially available cleaners or antistatic spray for vinyl as it may damage the disc.
- (6) Do NOT store discs in places subject to direct sunlight or near a heat source.
- (7) Do NOT store discs in a place subject to moisture or dust, such as a bathroom or near a humidifier.
- (8) Always store discs vertically in a case, stacking or placing objects on discs may cause warping.