

— MAJORITY —

LITTLE SHELFORD

PORTABLE DIGITAL RADIO

LSH-DAB-CRM | DUK | BLK | RED | MID | GRY



Instructions Guide

Contents

Box Contents	1
Controls And Functions.....	2
Support	4
Instructions Guide	5
Basic Operation	5
DAB/DAB+ Radio.....	6
DAB/DAB+ Presets.....	7
FM Radio	9
FM Radio Presets	10
Bluetooth Mode.....	12
Settings: Clock and Date	13
Settings: Dual Alarm Clock	14
Settings: Alarm Functions and Snooze	15
Radio Settings	17
Additional Features	18
Troubleshooting.....	19
Specifications	20
Warranty	20
Safety Information.....	21

3

**YEAR
WARRANTY**

Register your product online for a FREE 3 year
extended warranty at: www.majority.co.uk

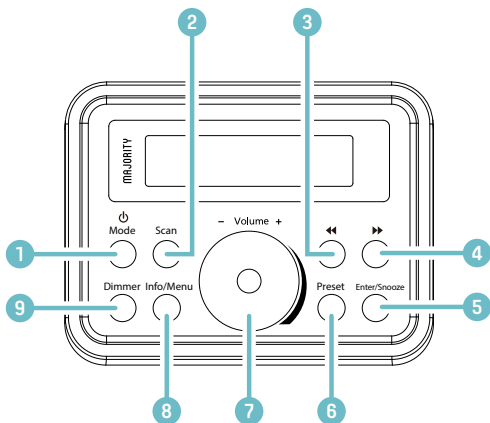
What's in the Box?

Majority Little Shelford Radio
UK Standard Plug Power Supply
User Guide



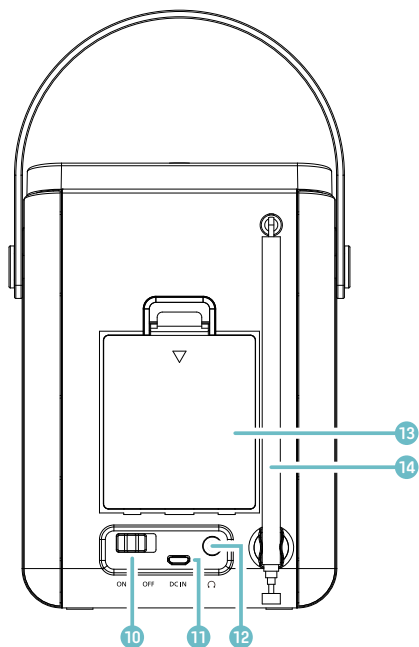
Controls And Functions

Top View/Control Buttons



- | | |
|-----------------|--------------------|
| 1. Standby/Mode | 6. Preset |
| 2. Scan | 7. Volume Dial -/+ |
| 3. Previous | 8. Info/Menu |
| 4. Next | 9. Dimmer |
| 5. Enter/Snooze | |

Back View/Connections



10. On/Off Power Switch

11. DC Power Input

12. 3.5mm Earphone Jack

13. Battery compartment

14. Aerial

Support

Thank you for your purchase of the Majority Little Shelford.

Please follow the guidance of the manual to set up your radio and enjoy its fantastic variety of stations and features.

If you require further assistance with your new radio, please contact our support team on the Majority website: www.majority.co.uk/support

Basic Operation

Please note all (Ref.) refer to Page 2-3 Controls and Functions mapping guide.

Starting up your radio

Plug the adaptor connector into the back of the system labelled 'DC in' and turn the power on from the mains (Ref.11). Alternatively, insert 4 x AA batteries rather than using the above process for mains power. (Ref.13)

Ensure the antenna (Ref.14) is extended as far as possible so that you can rotate it. This will enable you to get the best signal you can.

Switch the button on the rear of the unit to "on" (Ref.10) and the screen will show "Welcome to Digital Radio".

From the "Welcome to Digital Radio" screen, click the 'Standby/Mode' button (Ref.1) to switch your radio on. At this point, you will be required to select your chosen radio language.

When DAB mode is activated for the first time, a scan will automatically commence, or will play the last station before the unit was turned off.

Select 'Standby/Mode' (Ref.1) to switch between DAB, FM and Bluetooth.

Standby

To change your radio back to standby, press and **hold** the 'Standby/Mode' (Ref.1) button . To turn your radio off completely, switch the On/Off button at the back of the unit to 'Off' (Ref.10).

DAB/DAB+ Radio

Fully extend the antenna (**Ref.14**) to ensure that the best signal can be received before scanning.

From the “Welcome to Digital Radio” screen, click the ‘Standby/Mode’ button (**Ref.1**) and your radio will automatically scan for DAB stations. On first use it will automatically scan all stations and save them, and also synchronize the time and date of the station.

If the unit hasn’t automatically scanned or you would like to rescan the available stations, press the ‘Scan’ button (**Ref.2**) and then release. This would be advisable to repeat on DAB mode if you are having trouble listening to particular stations.

By pressing the Scan button, the radio will scan for available stations up the frequency band and store all stations that have a good signal. After searching has finished it will automatically play the first station stored.

To select a different station, use the ‘<<’ (**Ref.3**) or ‘>>’ (**Ref.4**) buttons to find your desired station. Select the station by clicking the ‘Enter/Snooze’ (**Ref.5**) button.

Please note that DAB mode is not indicated by displaying “DAB” on the screen, instead the first available station will display with rolling text information.

Rescanning DAB Stations

When on DAB mode, press the ‘Scan’ button (**Ref.2**) to rescan for available DAB stations in your area. The radio will now begin scanning for DAB stations with the screen displaying “Full Scan.”

DAB/DAB+ Presets

Storing DAB Stations

You can store up to 10 DAB radio stations for easy navigation.

To store a station that you are currently playing:

Press and **hold** the 'Preset' (Ref.6) button for **2-3 seconds** until the **Preset Store** settings open and the display shows "Preset Store<x:(Empty)>". Release the "Preset" button.

Press the '<<' or '>>' button (Ref.3/4) to change the "<1" to the number you want to store the station as. Then press 'Enter/Snooze' (Ref.5) button to save the station to that preset number. The display will then show "Preset x stored".

Note: If there is an existing DAB station stored under a preset, it will be over written when you store the new station.

Recalling a DAB stored station

Press the 'Preset' (Ref.6) button to open Preset Recall settings. Do not hold down the button as this will open Preset Store settings.

Press the '<<' or '>>' button (Ref.3/4) to scroll through your preset stations. Follow by pressing the 'Enter/Snooze' (Ref.5) button to select your choice and the station will begin playing.

Station Information for DAB/DAB+ Radio

When you are listening to a DAB/DAB+ radio station with good signal, you can press the 'Info/Menu' button (**Ref.8**) repeatedly to show the different programme information.

Signal Strength: Displays a signal bar with the strength of the current station.

Bit Error Rate: Provides details of the signal error rate.

Channel and Frequency: Displays the station's transmission channel number and frequency.

PTY (Programme Type): Shows the type and description of the program provided by the DAB station.

Time and Date: Displays the time and date information provided by the broadcaster.

Bit Rate: The data rate which the signal is being transmitted.

Dynamic Label Segment (DLS): Displays scrolling text information supplied by the broadcaster.

FM Radio

Press the 'Standby/Mode' button (**Ref.1**) multiple times to switch between DAB, FM and Bluetooth. The first time you switch to FM mode, the FM frequency "87.5 MHz" will be displayed on the screen.

Fully extend the antenna (**Ref.14**).

To scan for the available stations with good signal up the bandwidth, press the 'Scan' button (**Ref.2**) for the radio to begin scanning up the frequency band. The next available station with good signal will then begin to play.

To scan down the frequency band, press and **hold** the 'Scan' button (**Ref.2**) for a few seconds for the station down the frequency band with good signal.

How to tune a specific frequency manually

To listen to a specific frequency press and **hold** the '>>' button (**Ref.4**) to search up the bandwidth quickly and **hold** the '<<' button (**Ref.3**) to search down quickly. It will stop searching when the button is released.

To search slowly, press '<<' or '>>' (**Ref.3/4**) multiple times to scroll through.

Stereo and Mono

When on FM mode, press the 'Enter/Snooze' button (**Ref.5**) to switch between Stereo and Mono mode.

FM Radio Presets

Storing FM Stations

You can store up to 10 FM radio stations for easy navigation.

To store a station that you are currently playing:

Press and **hold** the 'Preset' (**Ref.6**) button for **2-3 seconds** until the **Preset Store** settings open and the display shows "Preset Store<x:(Empty)>". Release the 'Preset' button.

Press the '<<' or '>>' button (**Ref.3/4**) to change the "<1" to the number you want to store the station as. Then press 'Enter/Snooze' (**Ref.5**) button to save the station to that preset number. The display will then show "Preset x stored".

Note: If there is an existing FM station stored under a preset, it will be over written when you store the new station.

Recalling a FM stored station

Press the 'Preset' (**Ref.6**) button to open Preset Recall settings. Do not hold down the button as this will open Preset Store settings.

Press the '<<' or '>>' button (**Ref.3/4**) to scroll through your preset stations. Follow by pressing the 'Enter/Snooze' (**Ref.5**) button to select your choice and the station will begin playing.

Station Information for FM Radio

When you are listening to an FM radio station with good signal, you can press the 'Info/Menu' button (**Ref.8**) repeatedly to show the different programme information.

PTY (Program Type): Shows the type and description of the program provided by the DAB station.

Signal Strength: Displays a signal bar with the strength of the current station.

Time and Date: Displays the time and the date.

Frequency: Displays the station's transmission frequency.

Audio Type: Displays the audio type of the station you are listening to. It will either be Stereo or Mono.

Radio Text: Displays scrolling text information supplied by the broadcaster.

Bluetooth Mode

Setting Up Bluetooth

To choose Bluetooth mode, press the 'Standby/Mode' button (**Ref.1**) repeatedly until Bluetooth mode is selected.

Go to Bluetooth settings on your device and ensure that it is switched on. "Majority Little Shelford" should then display in available devices. Select this option to connect to it and it should display "Connected".

To choose the music you wish to play, you will need to choose the album or playlist from your device.

The volume, next or previous track can be changed from your device or from the unit using the Volume dial (**Ref.7**) or the '<<' and '>>' buttons (**Ref.3/4**).

The operational range between the unit and a Bluetooth device is approximately 10 meters without any obstructions.

Settings: Clock and Date

Manually Setting the Time

Ensure the unit is in working mode (i.e. listening to DAB/FM Radio). Press and **hold** the 'Info/Menu' button (**Ref.8**) for 1-2 seconds to open the 'Set Menu' option.

Use the '<<' or '>>' (**Ref.3/4**) buttons to choose your option and select Time/Date by pressing 'Enter/Snooze' (**Ref.5**).

The hour digit will now flash. Press '<<' or '>>' to scroll through to the correct hour. Press 'Enter/Snooze' to confirm.

Once this is confirmed, you will be able to press '<<' or '>>' to select the minutes. Press 'Enter/Snooze' to confirm.

Manually Setting the Date

After setting the time (per instructions above) the year will now flash. Press '<<' or '>>' (**Ref.3/4**) to scroll through to the correct year. Press 'Enter/Snooze' to confirm (**Ref.5**).

Once this is confirmed, you will be directed to the month. To change the month, use the '<<' and '>>' buttons (**Ref.3/4**). Press 'Enter/Snooze' to confirm (**Ref.5**).

Once this is confirmed, you will be able to press '<<' or '>>'(**Ref.3/4**) to select the Date. Press 'Enter/Snooze' to confirm (**Ref.5**).

Settings: Dual Alarm Clock

Alarm Setting

Ensure the unit is in working mode (i.e. listening to DAB/FM Radio). Press and **hold** the 'Info/Menu' button (**Ref.8**) for 1-2 seconds to open the 'Set Menu' option.

Scroll through using the '<<' or '>>' buttons (**Ref.3/4**) to find the "Alarm 1 Set" or "Alarm 2 Set" option and select a choice by pressing 'Enter/Snooze' to confirm (**Ref.5**).

To turn the alarm on or off, press '<<' or '>>' button (**Ref.3/4**), so that "ON" is flashing and press the 'Enter/Snooze' button to confirm.

The hour digits for the alarm will flash, press '<<' or '>>' button to change the hour and press the 'Enter/Snooze' button to confirm.

From this you will then be able to change the minutes, volume, desired alarm sound (e.g alarm, DAB or FM) following by selecting 'Enter/Snooze'.

The last option for setting your alarm is to select "Alarm Mode" and choose between having your alarm 1/2 to play Once, Daily, Weekends or Weekdays only.

Note: You can press the "Info/Menu" button to get back to the previous step when programming the alarm. When Alarm sounds, if no operation, it can last for one hour.

Settings: Alarm Functions and Snooze

Turn off the Alarm when sounding

To turn off the Alarm 1 or Alarm 2 when it sounds, press any of the buttons on the display screen except the 'Enter/Snooze' (Ref.5) button. This will then cancel the alarm set.

If the alarm is set to be "Weekday", "Weekend" or "Daily" then the alarm icon will still display on the standby display screen for the alarm set for the next day.

If it was set to "Once" then the alarm icon will disappear from the display screen after sounding.

How to cancel your alarm

Follow the guidance to setting your alarm, but instead of using the '<<' or '>>' buttons to turn the alarm ON, instead scroll to OFF. Confirm the selection by pressing 'Enter/Snooze'.

Snooze Function

When the alarm sounds, press the 'Enter/Snooze' button (Ref.5) to delay the alarm for another 9 minutes and the radio will go into Standby mode.

To take the radio off of Snooze or to stop sounding the Snooze alarm, press any of the buttons except the 'Enter/Snooze' button.

Settings: Sleep Timer

Ensure the unit is in working mode (i.e. listening to DAB/FM Radio). Press and **hold** the 'Info/Menu' button (**Ref.8**) for 1-2 seconds to open the "Set Menu" option.

Scroll through using the '<<' or '>>' buttons (**Ref.3/4**) to find the "Sleep Set" option and select it by pressing 'Enter/Snooze' to confirm (**Ref.5**).

The screen will now display "Set Sleep: OFF". Now use the '<<' and '>>' buttons to browse through a range of sleep timer lengths: 120/90/60/45/30/15/5 minutes or OFF.

When your choice is displayed, press the 'Enter/Snooze' button to confirm (**Ref.5**). The system will automatically start the timer.

To turn the sleep timer off, follow the above instructions and select "OFF" from the choices.

Once the timer has been set, the minutes will countdown on the display screen. For example, if set to turn off in 5 minutes, "55" will flash, counting down to "50" when the radio will go into standby mode.

Radio Settings

When the radio is turned on, press and **hold** the 'Info/Menu' (**Ref.8**) button. This will open "Set Menu" and display these settings:

Factory Reset:

Press the '<<' or '>>' button (**Ref.3/4**) in the "Set Menu" screen to scroll through to the sub-option of "Factory Reset".

Press the 'Enter/Snooze' button and the display will show "Factory reset?" Press the '<<' or '>>' button to select "Yes" or "No".

Then re-press the 'Enter/Snooze' button (**Ref.5**) to confirm your desired option.

System Version:

Press the '<<' or '>>' button (**Ref.3/4**) in the "Set Menu" screen to scroll through to the sub-option of "System Version".

Press the 'Enter/Snooze' button to check the system version information.

Language:

Press the '<<' or '>>' button (**Ref.3/4**) in the "Set Menu" screen to scroll through to the sub-option of "Language".

Press the 'Enter/Snooze' button to select your chosen language between English, French, Italian and Spanish.

Additional Features

Dimmer:

Select the 'Dimmer' button (**Ref.9**) repeatedly to scroll through a range of dimmer settings for the radio display screen.

Headphone Jack:

Plug in your earphones via the 3.5mm headphone jack (**Ref.12**) to listen to audio from your radio.

Please note that Bluetooth earphones are not compatible with this device.

Power Supply and Batteries:

The unit is powered and charged by UK Standard Plug USB 5V 1A and is also portable when powered by 4 x AA batteries (not supplied). These can be inserted into the battery compartment at the back of the unit.

Troubleshooting

Observation	Potential Cause/Solution
No sound	The station is not tuned in properly. Please perform a rescan for available stations or manually scroll through available stations.
Cannot preset stations	Ensure that you are pressing and holding down the Preset button for 2-3 seconds to open Preset Store settings. Only press, do not hold, to open Preset Recall.
FM: Static sound DAB: Burbling/ intermittent cut-out	Signal reception is low. Adjust the aerial or move the unit to a stronger signal location. Re-scan stations and or/ a factory reset.
Sound is distorted	The volume is too high. Adjust the volume control.
Desired station not found	Weak signal. Use the manual tune function and try rescanning in a different area.
Display shows "No Service"	There is no DAB coverage in your area, or poor reception. Adjust the position of the aerial, or move the unit to a stronger signal location.
Display is blank	This may occur if the broadcaster changes the label of a service or removes a label while tuned. The radio will try to retune or perform a scan.
Time and Date not setting automatically	Go to DAB mode and this will automatically set once a scan is performed. Alternatively, set in your 'Settings'.
Other problems/ functional issues	Please perform a factory reset of the radio in your settings.

Specifications

Specifications

Power Supply	DC 5V 1A (100-240V)
Battery Supply	4 x AA Batteries for portability
Modes	DAB/DAB+ Band III 5A-13F 174-240MHz FM (87.5MHz - 108MHz) Bluetooth
Output Connector	3.5mm Earphone Jack
Dimension (WxHxD)	13 x 10 x 17 cm
Net Weight	762 g
Manufacturer	Shenzhen Adition Audio Science & Technology Co., Ltd
Brand	Adition
Model no.	ADo600501000UK-MICROUSB
Input	100-240V~, 50-60Hz, 0.2A Max
Output	5.0V = 1.0A 5.0W
Average active efficiency	75.26%
No-load power consumption	0.07W

Warranty

All products come with a standard 12 month warranty. All items must be registered on www.majority.co.uk for the warranty to be valid. Once on the web page, use the menu to find "Register Your Product". You will also be given the chance to extend your warranty for an additional 24 months, free of charge.

1. Read these instructions.
2. Keep these instructions. Instructions are also available for download at www.majorityradios.co.uk
3. Heed all warnings
4. Follow all instructions
5. Do not clean the apparatus near or with water
6. Do not block any ventilation openings. Install in accordance with the manufacturer's instructions
7. Do not install near any heat sources such as radiators, heat registers, stoves, or other apparatus (including amplifiers) that produce heat.
8. Protect the power from being walked on or pinched particularly at plugs, convenience receptacles, and the point where they exit from the apparatus.
9. Only use attachments/accessories specified by the manufacturer.
10. Unplug this apparatus during light storms or when unused for long periods of time.
11. Refer all servicing to qualified service personnel.
Servicing is required when the apparatus has been damaged in a way, such as power-supply cord or plug is damaged, liquid has been spilled or objects have fallen into the apparatus, the apparatus has been exposed to the rain or moisture, does not operate normally or has been dropped.
12. No naked flame sources, such as lit candles, should be placed on the apparatus.
13. Dispose of used electrical products and batteries safely according to your local authority and regulations.

ADDITIONAL WARNINGS

The apparatus shall not be exposed to dripping or splashing and no objects filled with liquid, such as vases, shall be placed on the apparatus. Main plug is used to disconnect device and it should remain readily operable during intended use. In order to disconnect the apparatus from the main mains completely, the mains plug should be disconnected from the main socket outlet completely. Battery shall not be exposed to excessive heat such as sunshine, fire or the like.

RECYCLING ELECTRICAL PRODUCTS

You should now recycle your waste electrical goods and in doing so help the environment.



This symbol means an electrical product should not be disposed of with normal household waste. Please ensure it is taken to a suitable facility for disposal when finished with.

IMPORTANT: Please read all instructions carefully before use and keep for future reference.



Risk of electric shock.
Do not open



Read all instructions carefully before use and keep for future reference



When servicing, use only identical replacement parts



CAUTION

RISK OF ELECTRIC SHOCK
DO NOT OPEN



ATTENTION

RISQUE D'ELECTROCUTION
NE PAS OUVRIR



IMPORTANT: Please read all instructions carefully before use and keep for future reference

MAJORITY

www.majority.co.uk