



OAKCASTLE

BX-200

USER MANUAL

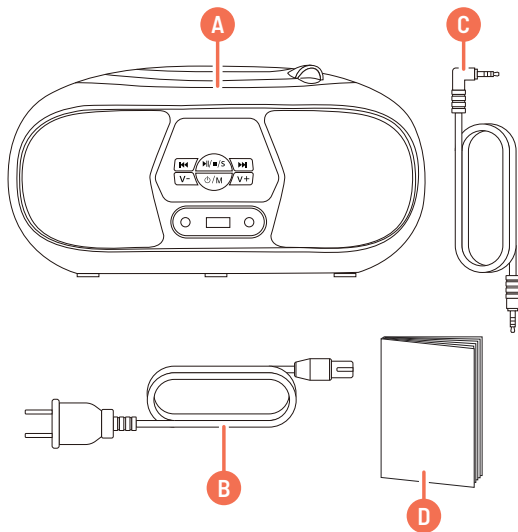
Contents.....	2
Box Contents	3
Controls & Functions	4
Setting up your Oakcastle CD200	6
Basic Operation.....	7
CD Mode.....	8
Bluetooth mode	9
AUX Mode	10
FM Radio Mode	11
USB Mode and Connecting Headphones	12
Troubleshooting.....	13
Specification & Warranty	14
Safety Information.....	15

3 | **YEAR
WARRANTY**

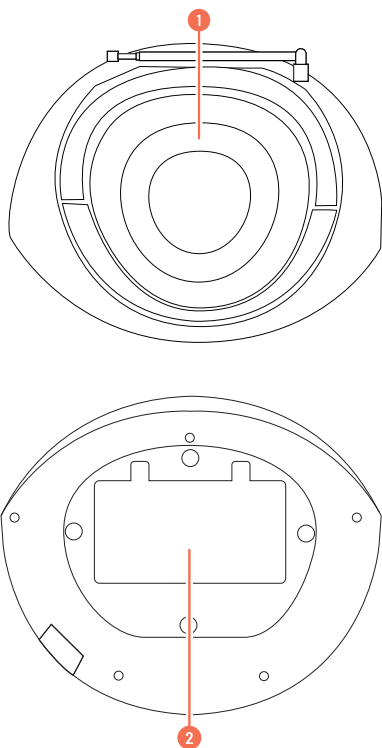
Register your product online for a **FREE 3 year**
extended warranty at: www.oakcastle.co.uk

WHAT'S IN THE BOX

- A. Oakcastle BX200
- B. Power Adapter
- C. 3.5mm to 3.5mm AUX cable
- D. Instructions Guide

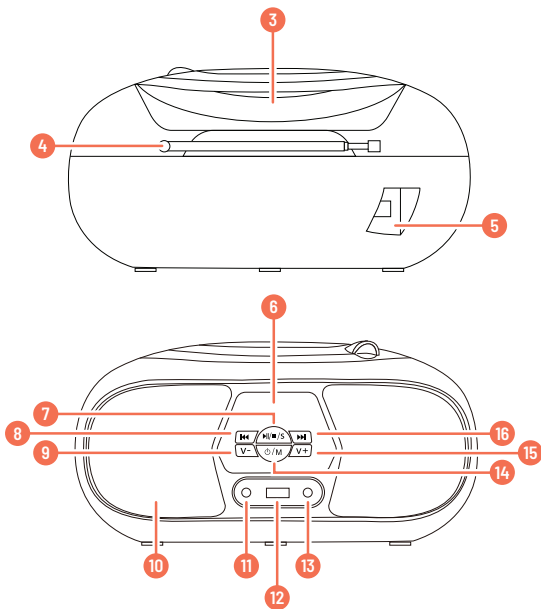


TOP & BOTTOM VIEW



1. Open/Close
2. Battery Compartment

BACK & FRONT VIEW



- | | | | |
|----|----------------------|-----|-------------------|
| 3. | Handle | 10. | Speaker |
| 4. | Antenna | 11. | AUX in |
| 5. | AC Input | 12. | USB port |
| 6. | Display Screen | 13. | Headphone port |
| 7. | Play/Pause/Stop/Scan | 14. | Power On/Off/Mode |
| 8. | Previous/Rewind | 15. | Volume + |
| 9. | Volume - | 16. | Next/Fast forward |

Please note that the instructions within this manual will refer to the unit button number e.g (**Ref.*number***) in accordance with the diagrams on pages 4-5.

CONNECTING AND POWERING THE UNIT

AC Power (Mains power)

Using the power cord provided, plug one end into the back of the unit (**Ref.5**) and plug the other end into a mains socket. Press and **hold** the Power/Mode button (**Ref.14**) to switch the unit on or off.

DC Power (Battery power)

On the bottom of the radio, remove the battery cover.

Insert 4 x 1.5V size 'D' (LR20) batteries (not included).

Ensure the polarities of batteries are according to indications marked.

Close the battery compartment. Press and **hold** the Power/Mode button (**Ref.14**) to switch the unit on or off.

Battery Precautions

If the radio is not used for a long period of time, remove the batteries to prevent damage due to possible battery leakage.

Do not try to recharge batteries as they can overheat and rupture. Follow all battery manufacturer instructions.

Power On and Change Mode

Press and **hold** the Power/Mode button (**Ref.14**) to switch the unit on or off. Switch between Bluetooth, AUX, CD, FM, and USB mode by pressing the Power/Mode button (**Ref.14**).

Volume control

Use the volume increase (**Ref.15**) and volume decrease (**Ref.9**) buttons to change the volume.

Playing a CD

Insert a CD into the unit by opening the disc door (**Ref.1**) and placing a disc into the unit and pressing a disc onto the spindle.

Select CD mode by pressing the 'Power/Mode' button (**Ref.14**) until 'CD' is shown on the display. Press 'Play' (**Ref.7**) to begin playing a CD.

Compatible disc types: CD/CD-R/CD-RW/CD-MP3

Controls and Functions: CD

Press Play/Pause/Stop/Scan (**Ref.7**) to play or pause. Press and **hold** the Play/Pause/Stop/Scan button (**Ref.7**) to switch the playback mode between Repeat One (display shows ONE) Repeat All (ALL), Random Shuffle (RAN), and Repeat Off (OFF).

Double press (**Ref.7**) to stop the CD.

Press 'Previous' (**Ref.8**) to skip to previous track. Press and **hold** (**Ref.8**) to fast rewind.

Press 'Next' (**Ref.16**) to skip to next track. Press and **hold** (**Ref.16**) to fast forward.

Connecting Bluetooth devices

Select Bluetooth mode by pressing the 'Power/Mode' button (**Ref.14**) until 'BLUE' is shown on the display.

Ensure that Bluetooth is activated on the device you wish to connect. If this is the first time your device is being paired with the Oakcastle BX200, search for available devices on the device you wish to connect.

Select the 'Oakcastle BX200' from the list and connect.

When successfully connected, the device will issue a short sound. After this, you can begin playing music on your device.

Controls and Functions: Bluetooth

Press Play/Pause/Stop/Scan (**Ref.7**) to play or stop. Press and hold (**Ref.7**) to disconnect or reconnect Bluetooth.

Press 'Previous' (**Ref.8**) to skip to previous track.

Press 'Next' (**Ref.16**) to skip to next track.

Connecting via AUX-in

Use a 3.5mm to 3.5mm AUX cable to connect an external device to the 'AUX' input of the Oakcastle BX200 (**Ref.11**).

Select AUX mode by pressing the 'Power/On/Off/Mode' button (**Ref.14**) until 'AUX' is shown on the display.

To control the playback, use the controls on your external device.

MENU OPERATION

Listening to FM Radio

Ensure that the antenna is fully extended for best performance (**Ref.4**).

Select FM mode by pressing the 'Power/On/Off/Mode' button (**Ref.14**) until a digital frequency is shown on the display.

CONTROLS AND FUNCTIONS: FM

Auto-search and store

Press Play/Pause/Stop/Scan (**Ref.7**) to Auto-Search and save FM stations (strong stations are automatically saved to the device presets). Press and hold (**Ref.7**) to mute or unmute the sound.

After performing an Auto-Search, press Previous (**Ref.8**) or Next (**Ref.16**) to skip to previous/next stored station.

Manual search and store

To manually search and store stations, press and hold Previous (**Ref.8**) to search and store the previous frequency. Press and hold Next (**Ref.16**) to search and store the next frequency.

Playing Audio via USB

Insert a USB drive into the USB slot (**Ref.12**). The unit will automatically switch to USB mode ('USB' will display on the screen) and begin playing audio files saved on your USB drive.

Compatible file types: MP3/WAV/FLAC/APE.

Compatible USB memory: up to 32GB.

Controls and Functions: USB

Press Play/Pause/Stop/Scan (**Ref.7**) to play or pause a track. Press and **hold** (**Ref.7**) to switch the playback mode between Repeat One, Random Shuffle, Repeat Folder, Repeat All, and Repeat Off.

Press 'Previous' (**Ref.8**) to skip to the previous track. Press and **hold** (**Ref.8**) to skip back through previous folders of tracks stored on the USB drive.

Press 'Next' (**Ref.16**) to skip to next track. Press and **hold** (**Ref.16**) to skip to next folder of tracks stored on the USB drive.

Connecting headphones

Connect wired headphones (not included) to the headphone port of the Oakcastle BX200 (**Ref.13**) to listen to audio through headphones.

Ensure the volume is turned down before you use the headphones to avoid any damage to your ears.

You will now hear audio output through the headphones.

Observation	Potential Cause/Solution
No power/function	Check that the power is switched on at the wall. Check that the power adaptor is properly connected to power outlet.
No sound	Check whether unit is set to MUTE. Check whether MODE is correctly selected. If you are connected via Bluetooth or AUX, turn up the volume on your device. Check that cables are properly installed.
Function disturbance	Switch off and unplug the unit. Leave it for 2 minutes and switch it on again.
Bluetooth not connecting	Ensure that you are on Bluetooth mode on the radio and the Bluetooth on your device is switched on. Select the Bluetooth device 'Oakcastle BX200' and you should now be able to play audio.
CD player not working	Remove disc and gently clean with a soft, dry cloth. Replace the CD, close the lid, and press play.

SUPPORT

If you require further assistance with your new CD player, please contact our support team on the Oakcastle website: www.oakcastle.co.uk

Power Supply	AC power input: 110V-220V, 50/60Hz DC power input: 4 x 1.5V D batteries (LR20)
Mode:	FM: 87.5MHz - 108 MHz CD Bluetooth 3.5mm AUX-in USB reader (max 32GB)
Power consumption	10W
Dimensions	13.5 x 26.5 x 21.5 cm
Weight	1113 g
Speakers	2 x 3W RMS full range speaker
Bluetooth Version	5.0, supports A2DP profile
Bluetooth range	up to 10 meters
FCC ID	2AXZT-RLBT-16CD

WARRANTY

All products come with a standard 12 month warranty. All items must be registered on www.oakcastle.co.uk for the warranty to be valid. Once on the web page, use the menu to find "register your product". You will also be given the chance to extend your warranty for an additional 24 months, free of charge.

1. Read these instructions.
2. Keep these instructions. Instructions are also available for download at www.oakcastle.co.uk
3. Heed all Warnings
4. Follow all instructions
5. Do not clean the apparatus near or with water
6. Do not block any ventilation openings. Install in accordance with the manufacturer's instructions
7. Do not install near any heat sources such as radiators, heat registers, stoves, or other apparatus (including amplifiers) that produce heat.
8. Protect the power from being walked on or pinched particularly at plugs, convenience receptacles, and the point where they exit from the apparatus.
9. Only use attachments/accessories specified by the manufacturer.
10. Unplug this apparatus during light storms or when unused for long periods of time.
11. Refer all servicing to qualified service personnel. Servicing is required when the apparatus has been damaged in a way, such as power-supply cord or plug is damaged, liquid has been spilled or objects have fallen into the apparatus, the apparatus has been exposed to the rain or moisture, does not operate normally or has been dropped.
12. No naked flame sources, such as lit candles, should be placed on the apparatus.
13. Dispose of used electrical products and batteries safely according to your local authority and regulations.


ADDITIONAL WARNINGS

The apparatus shall not be exposed to dripping or splashing and no objects filled with liquid, such as vases, shall be placed on the apparatus. Main plug is used to disconnect device and it should remain readily operable during intended use. In order to disconnect the apparatus from the main mains completely, the mains plug should be disconnected from the main socket outlet completely. Battery shall not be exposed to excessive heat such as sunshine, fire or the like.



RECYCLING ELECTRICAL PRODUCTS

You should now recycle your waste electrical goods and in doing so help the environment.

 This symbol means an electrical product should not be disposed of with normal household waste. Please ensure it is taken to a suitable facility for disposal when finished with.

IMPORTANT: Please read all instructions carefully before use and keep for future reference.



Risk of electric shock.
Do not open



Read all instructions carefully before use and keep for future reference



When servicing, use only identical replacement parts



CAUTION

RISK OF ELECTRIC SHOCK
DO NOT OPEN



ATTENTION

RISQUE D'ELECTROCUTION
NE PAS OUVRIR



IMPORTANT: Please read all instructions carefully before use and keep for future reference



WWW.OAKCASTLE.CO.UK