

MP3 GO Player 16GB

User Manual

MAJORITY

HOME AUDIO • CAMBRIDGE

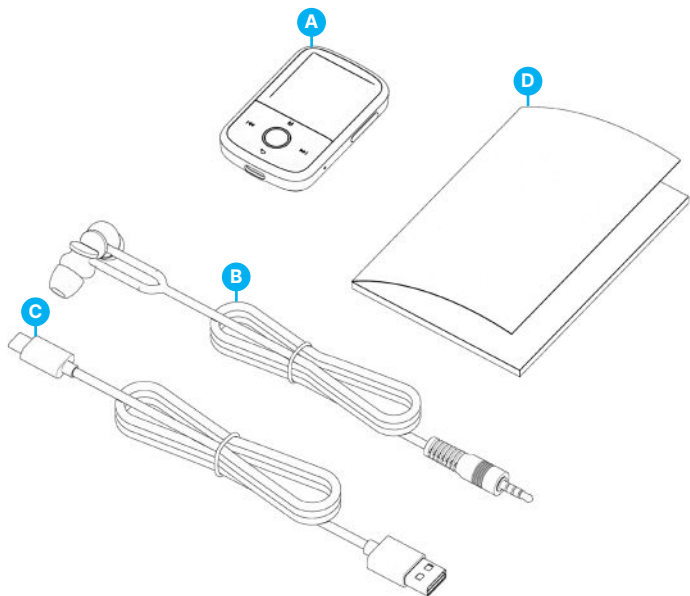
What's In the Box?.....	3
Controls And Functions.....	4
Instructions Guide.....	5
Basic Operation.....	5
Music (transfer audio files, create playlists, music menu).....	6
Bluetooth.....	9
Voice Recordings.....	10
Folder View.....	11
Wallpaper.....	11
Stopwatch.....	11
Calendar.....	11
Settings.....	12
Troubleshooting & Support.....	13
Product Specification & Warranty.....	14
Safety Information.....	15

3 year
Warranty

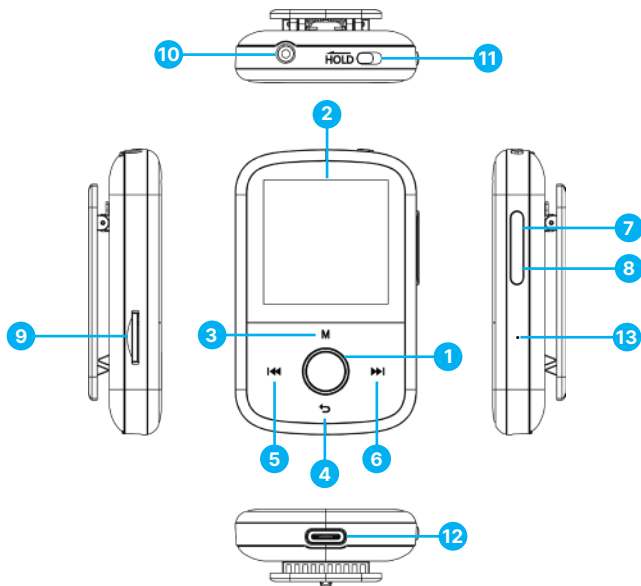
Register your product online for a FREE 3 year
extended warranty at: www.majority.co.uk

What's in the Box?

- A. Majority MP3 GO Player 16GB
- B. Earphones
- C. USB Type-C charging Cable
- D. Instructions Guide



MP3 Go Player



- | | |
|--|--------------------------|
| 1. Play/Pause/Power ON/OFF/OK/Enter Button | 8. Volume - |
| 2. 1.54" IPS screen | 9. Micro SD Card slot |
| 3. Menu Button | 10. Earphone Jack |
| 4. Return/ Back Button | 11. Hold Lock/Unlock |
| 5. Previous / Hold to fast backward | 12. Type-C Charging Port |
| 6. Next / Hold to fast forward | 13. Reset |
| 7. Volume + | |

Please note that the instructions within this user manual will refer to the button number on the unit e.g. (Ref. 'Number'), as per the diagrams on page 4.

Power ON/OFF

Press and hold the 'Power' button **(Ref.1)** for 2-3 seconds to switch ON/OFF.

Standby Mode

When the screen goes black, press the 'Power' button **(Ref.1)** to take the Majority MP3 GO Player out of Standby Mode.

Hold button- Lock/Unlock

Slide the 'Hold' button **(Ref.11)** to the left side to hold/lock the Majority MP3 GO or slide to the right to Unlock.

Please note: While the Majority MP3 GO is locked, the buttons do not function. Ensure that the device is unlocked to resume operations.

Navigate through the Menu/Sub-Menu options.

Use the 'Previous' and 'Next' buttons **(Ref.5 & 6)** to navigate and highlight your selection within each Menu or Sub- Menu, and then press the 'OK' button **(Ref.1)** to access/enter or confirm as described in this manual.

Charging

Prepare the Majority MP3 GO for charging. To begin, switch the device off before charging.

Using the USB Type-C cable provided in the box, insert the micro USB end into the USB charging port of the Majority MP3 GO **(Ref.12)**, and the other end into a USB port of a PC or laptop. Alternatively, connect the Majority MP3 GO to a wall socket using the USB Type-C cable with a USB plug (the plug is not included in the box).

When connecting the Majority MP3 GO player with a PC or laptop using the USB Type-C cable, you will have two options displayed on the MP3 GO player screen to choose from: 'Charge & Transfer'- Select this option to charge and transfer audio files on the MP3 player.

'Charge & Play'- Select this option to charge and play at the same time. The battery indicator of the Majority MP3 GO will show when the device is running low and needs to be charged. It takes 3 hours for the Majority MP3 Go to be fully charged when the device is not in use.

File Transfer/Adding Music

Switch OFF the Majority MP3 GO using the 'Power' button **(Ref.1)** to prepare for transfer. Connect the Majority MP3 GO to your computer using the USB Type-C cable. (included in the box). Once connected with a PC or laptop, select 'Charge & Transfer' on the Majority MP3 Go, and then press the 'POWER' button **(Ref.1)** to confirm.

The Majority MP3 GO will be recognised on your computer the same way a USB stick is. Drag and drop audio files in supported formats from your PC into the Majority MP3 GO. Wait until files are completely transferred before removing the Majority MP3 GO.

Once transferred ensure the MP3 Go player is firstly and safely ejected from the File Explorer options of your computer before disconnecting the USB Type-C cable.

Compatible operating systems:

Windows 7/8/8.1/10/XP/11/Vista/2001/Mac OS.

Supported audio formats:

MP3/WMA/OGG/APE/FLAC/WAV/AA/AAX.

Play music

Press the 'MENU' button **(Ref.3)** to enter the 'Main Menu'.

Using the 'Previous'/'Next' buttons **(Ref.5 and 6)**, search and select 'MUSIC'.

Press the 'ENTER' button **(Ref.1)** to confirm.

Select for example, 'All songs' and start playing your music.

Skip track

Press the 'Previous'/'Next' buttons **(Ref.5 & 6)** to skip to the previous/next track.

Fast forward/Rewind track

To rewind, press and hold the 'Previous' button **(Ref.5)**. Release to resume.

To fast forward, press and hold the 'Next' button **(Ref.6)**. Release to resume.

Create a Playlist

To create a playlist, select 'Music' from the Main Menu, and then create a playlist using one of these two methods:

Method 1:

While in 'MUSIC', scroll through the options using the 'Previous'/'Next' buttons (**Ref.5 & 6**) and select 'Create Playlist'. Press the 'OK' button (**Ref.1**) to enter. Scroll through the list of the audio files and pick one. Once highlighted, press the 'OK' button (**Ref.1**) to start playing. Press the 'Main Menu' button (**Ref.3**) and select 'Add to Playlist' from the menu options. Select the Playlist where you would like to add the audio file on. The device will then ask for confirmation. To add the song, select 'Yes'. To cancel, select 'No', or press the 'back' button (**Ref.4**) to choose a different playlist. Repeat the above steps to add more songs.

Method 2:

While playing a song/audio file that you would like to add on a Playlist, press the 'Menu' button (**Ref.3**). Scroll through the options using the arrow buttons and select 'Add to playlist'. Press the 'OK' button (**Ref.1**) to confirm. Select the playlist where you would like to add the audio file and confirm your selection with the 'OK' button (**Ref.1**).

MUSIC Menu options

When powering on the Majority MP3 GO, press the 'Menu' button (**Ref.3**), to enter the MUSIC Menu. Press the 'OK' button (**Ref.1**) to enter.

The following options are available within the Music Menu when a song isn't playing:

Now Playing – select to resume playing.

All songs- select to view a list of all songs.

Artists- select to view music by artist.

Albums- select to view music by album.

Genres- select to view music by genre.

Playlists- select to play a playlist.

Create playlist- select to begin creating a playlist.

Please note: You can create in total 3 Playlists of up to 100 songs each.

While playing a song, press the 'MENU' button **(Ref.3)**, to enter the 'Music Menu'. Use the 'Previous' and 'Next' buttons **(Ref.5 & 6)**, access any of the below options. Press the 'OK' button to confirm **(Ref.1)** your selection.

Repeat

'Repeat 1' to repeat the song currently playing.

'Repeat all' to repeat the playlist currently playing.

'Repeat OFF' to cancel the repeat function already set.

Repeat Settings

Use this feature to create a repeat of a specific part of the song that you would like to play repeatedly by setting the 'Repeat Mode', the 'Reply Interval and the 'Reply times'.

Shuffle

Play audio files in random order. Select Shuffle as 'ON' or 'OFF', and then press the 'OK' button **(Ref.1)** to confirm.

Sound Settings- select the Variable Speed, Playback/Volume limit or the Equaliser.

Add to playlist- add a song to a playlist.

Remove from playlist- remove the song currently playing from the playlist.

Delete- delete the song playing from the MP3 GO player.

Bookmarks- Add a bookmark to start playing an audio file from a specific point. Once selected, the bookmarked audio will be available under 'Bookmarks'. You can set up to 10 Bookmarks.

The Majority MP3 GO can be paired via Bluetooth with earbuds or external speaker using the following steps:

1. Select 'Bluetooth' from the Main Menu, and then press the 'OK' button to enter **(Ref.1)**.
2. Activate the Bluetooth connection on the Majority MP3 GO by entering the 'Bluetooth Switch Control' and select 'Bluetooth Open'. Press the 'OK' button **(Ref.1)** to confirm, and then press the 'Back' button **(Ref.4)** to return to the Bluetooth Menu.
3. Activate Bluetooth on your device, making sure your device is visible and ready to pair. Search for devices on the Majority MP3 Go. While searching, a flashing icon (indicating Bluetooth) will be visible on the screen next to the battery icon, representing that the player is searching for available devices around to pair with.
4. A list of devices found will then be displayed on the Majority MP3 GO. Select the one you would like to pair with, and then press the 'OK' button **(Ref.1)** to confirm, match and connect. Wait a few seconds for the connection to be established. Once successfully paired, the screen will read 'Connected' and you can now start playing music from the Majority MP3 GO via your Bluetooth audio output device.

If the connection fails, please try the same steps again as described at points 2, 3, 4.

To disconnect the Majority MP3 GO, from a device already paired with remove from yours from the 'List of devices'.

To switch off Bluetooth on the Majority MP3 GO, access the 'Bluetooth Switch Control' and select 'Bluetooth OFF'.

Within the Main Menu, select 'Recordings' and then press the 'OK' button **(Ref.1)** to enter.

Create a voice recording.

- Select 'Start voice recording' and then press the 'OK' button **(Ref.1)** to start recording.
- The device will now begin recording using the built-in microphone.
- Once you finished recording, press the 'OK' button to Pause/ Stop **(Ref.1)**.
- Press the 'Back' button **(Ref.4)** and then select 'Yes' or 'No' to save or delete the recording.

Record format - Select to choose the format of your recordings: MP3 or WAV recording file.

Record Settings- Select to choose and adjust the recorder Bitrate settings. Bitrate settings enables you to change the recording bitrate to 512, 768, 1024, and 1536kbps (Kilobits per second).

Recordings library- Select to view the list of your recordings.

FOLDER VIEW (View all files)

Select 'Folder view' from the Main Menu to view a list of all files/folders available on the Majority MP3 Go. Connect the Majority MP3 GO with a computer/laptop using USB Type-C cable included in the box to access 'Folder View' from your computer. Once connected, find the 'Majority MP3 GO'.

WALLPAPER

Select 'Wallpaper' from the Main Menu, and then press the 'OK' button **(Ref.1)** to change the wallpaper. Each time you press the 'OK' button **(Ref.1)**, the Majority MP3 Go will generate a new wallpaper. There are 6 wallpapers to choose from.

STOPWATCH

Select 'Stopwatch' from the Main Menu, and then press the 'OK' button to enter **(Ref.1)**. Start a timer, and then press the 'OK' button **(Ref.1)** to Pause or Stop. Press the 'Menu' button **(Ref.3)** to reset the data.

CALENDAR

Select 'Calendar' from the Main Menu, and then press the 'OK' button **(Ref.1)** to view the calendar date.

SETTINGS

To view and change the main settings on the MP3 Go player, select 'Settings' from the Main Menu. Use the 'Previous' and 'Next' buttons (**Ref.5 & 6**) to select your option, press the 'OK' button (**Ref.1**) to enter each sub-menu.

Language - Select to change the device menu language. Choose your preferred language from a list of 30 available.

Display Settings - Select to change the display screen 'Brightness', set a 'Backlight timer' or a 'Screensaver'.

Sleep Timer - Select to activate a 'Sleep Timer' with automatic turn Off settings.

Power Off Timer - Select to adjust the Auto Turn Off settings when there is no activity on the Majority MP3 GO.

Date and Time - Select and adjust the date and time settings.

Information - Select to view information related to the Firmware version and the remaining Disk space available of the Majority MP3 GO.

Factory Settings - Select to restore the Majority MP3 GO player to factory settings.

Format Device - Select to format the device and delete all data and files.

Please note: If you have an SD card inserted, this must be removed before using a 'Format Device', otherwise all data from the SD card will be deleted.

Observation	Potential Cause/Solution
<p>The Majority MP3 Go is not powering on.</p>	<p>Check if the Majority MP3 Go is in Standby Mode. Check if the player is fully charged.</p>
<p>The Majority MP3 Go will not turn on, display is black.</p>	<p>Insert a pin into the reset hole 'Reset' (Ref.13).</p>
<p>Cannot play audio files uploaded.</p>	<p>Check is the audio files uploaded from computer are in supported formats.</p>
<p>Bluetooth external speaker/ audio output source cannot connect.</p>	<p>Check if Bluetooth is activated on the Majority MP3 Go player and, on your device, and reconnect. Check if your external speaker is compatible with Bluetooth version 5.0.</p>
<p>No sound.</p>	<p>Increase volume. Check if the audio files are in supported formats.</p>
<p>Buttons do not function.</p>	<p>Check if the Majority MP3 GO is locked. Slide to the 'HOLD' button to the right to unlock. Process a display reset by inserting a pin into the reset hole (Ref.13).</p>

Support

If you require further assistance with your Majority MP3 GO, please contact our tech support team on the Majority website: www.majority.co.uk/support

Product Specification

Screen	1.54 inch 240*240 IPS screen
MP3 GO memory	16GB
Bluetooth Version	Bluetooth 5.0
Recording Format	MP3 Rec/ WAV Rec
Micro-SD card	Compatible with SD cards up to 128GB
Battery	Li-polymer rechargeable 300mAh
Charging time	3 hours

Warranty

To activate your extended 3 Year Warranty and gain access to all the benefits and lifetime technical support, register your Majority MP3 GO within 30 days of purchase on the Majority website: <https://www.majority.co.uk/register/>

1. Read these instructions.
2. Keep these instructions. Instructions are also available for download at www.majority.co.uk.
3. Heed all warnings.
4. Follow all instructions.
5. Do not clean the apparatus near or with water.
6. Do not block any ventilation openings. Install in accordance with the manufacturer's instructions.
7. Do not block any ventilation openings. Install in accordance with the manufacturer's instructions.
8. Do not install near any heat sources such as radiators, heat registers, stoves, or other apparatus that produce heat.
9. Protect the power from being walked on or pinched particularly at plugs, convenience receptacles, and the point where they exit from the apparatus.
10. Only use accessories specified by the manufacturer.
11. Unplug this apparatus during light storms or when unused for long periods of time.
12. Refer all servicing to qualified service personnel.
13. No naked flame sources, such as a lit candle should be placed on the apparatus.
14. Dispose of used electrical products and batteries safely according to your local authority and regulations.

ADDITIONAL WARNINGS

The apparatus shall not be exposed to dripping, splashing or objects filled with water.

The main plug is used to disconnect the device. In order to disconnect the apparatus from the main mains completely, the mains plug should be disconnected from the main socket outlet completely.

Battery shall not be exposed to excessive heat.

RECYCLING ELECTRICAL PRODUCTS

You should now recycle your waste electrical goods and in doing so help the environment.



This symbol means an electrical product should not be disposed of with normal household waste. Please ensure it is taken to a suitable facility for disposal when finished.

IMPORTANT: Please read all instructions carefully before use and keep for future reference.



Risk of electric shock.
Do not open.



Read all instructions carefully before use and keep for future reference.



When servicing, use only identical replacement parts.



ATTENTION

RISK OF ELECTRIC SHOCK DO NOT OPEN



CAUTION

RISQUE D'ELECTROCUTION NE PAS OUVRIR



IMPORTANT: Please read all instructions carefully before use and keep for future reference



MP3 GO Player 16GB

Benutzerhandbuch

MAJORITY

HOME AUDIO • CAMBRIDGE

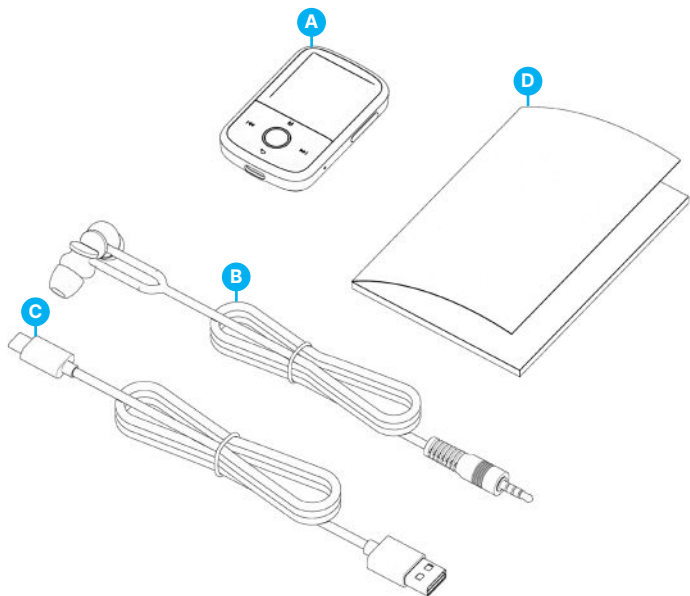
Was ist in der Box?.....	3
Steuerelemente und Funktionen	4
Anleitung Leitfaden	5
Grundlegende Bedienung	5
Musik.....	6
Bluetooth.....	9
Sprachaufzeichnungen.....	10
Ansicht der Mappe	11
Tapete	11
Stoppuhr	11
Kalender	11
Einstellungen	12
Fehlersuche & Unterstützung	13
Produktspezifikation und Garantie	14
Informationen zur Sicherheit	15

3 Jahres-
Garantie

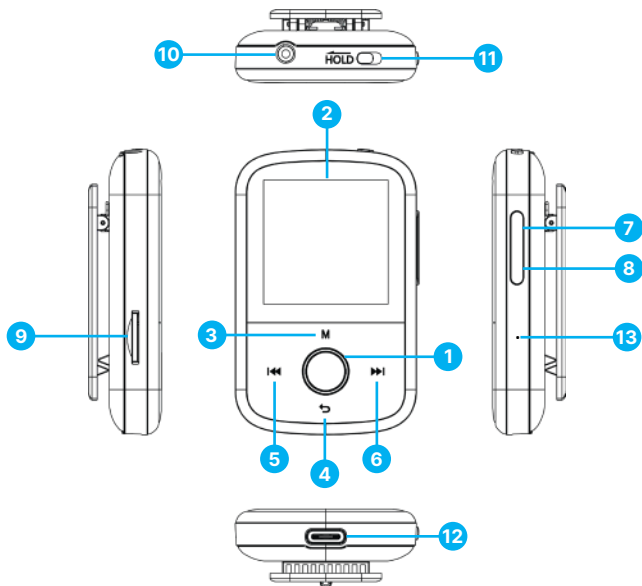
Registrieren Sie Ihr Produkt online für eine KOSTEN-
LOSE 3-jährige Garantieverlängerung unter:
www.majority.co.uk

Was ist in der Box?

- A. Majority MP3 GO Player 16GB
- B. Kopfhörer
- C. USB Typ-C Ladekabel
- D. Anleitung



MP3-Go-Spieler



- | | | | |
|----|--|-----|---------------------------|
| 1. | Wiedergabe/Pause/Einschalttaste/OFF/OK/Enter-7-Taste | 7. | Lautstärke + |
| 2. | 1,54" IPS-Bildschirm | 8. | Lautstärke - |
| 3. | Menü-Taste | 9. | Micro SD-Kartenslot |
| 4. | Zurück/Back-Taste | 10. | Kopfhöreranschluss |
| 5. | Zurück / Gedrückt halten für schnellen Rücklauf | 11. | Sperren/Entsperren halten |
| 6. | Weiter / Gedrückt halten für schnellen Vorlauf | 12. | Typ-C-Ladeanschluss |
| | | 13. | Zurücksetzen |

Bitte beachten Sie, dass sich die Anweisungen in diesem Benutzerhandbuch auf die Tastennummer am Gerät beziehen, z. B. (Ref. 'Nummer'), wie in den Diagrammen auf Seite 4 dargestellt.

Einschalten/Ausschalten

Halten Sie die 'Power'-Taste (**Ref.1**) 2-3 Sekunden lang gedrückt, um das Gerät ein- und auszuschalten.

Standby-Modus

Wenn der Bildschirm schwarz wird, drücken Sie die 'Power'-Taste (**Ref. 1**), um den Majority MP3 GO Player aus dem Standby-Modus zu holen.

Hold-Taste - Sperren/Entsperren

Schieben Sie die 'Hold'-Taste (**Ref.11**) nach links, um den Majority MP3 GO zu sperren, oder nach rechts, um ihn zu entsperren.

Bitte beachten Sie: Wenn der Majority MP3 GO gesperrt ist, funktionieren die Tasten nicht. Stellen Sie sicher, dass das Gerät entsperrt ist, um den Betrieb wieder aufzunehmen.

Navigieren Sie durch die Optionen des Menüs/Untermenüs.

Verwenden Sie die Tasten 'Zurück' und 'Weiter' (**Ref.5 und 6**), um in den einzelnen Menüs oder Untermenüs zu navigieren und Ihre Auswahl zu markieren, und drücken Sie dann die Taste 'OK' (**Ref.1**), um auf die in diesem Handbuch beschriebenen Funktionen zuzugreifen bzw. sie zu bestätigen.

Aufladen

Bereiten Sie den Majority MP3 GO zum Aufladen vor. Schalten Sie das Gerät vor dem Aufladen zunächst aus.

Stecken Sie das Micro-USB-Ende des mitgelieferten USB-Typ-C-Kabels in den USB-Ladeanschluss des Majority MP3 GO (**Ref.12**) und das andere Ende in einen USB-Anschluss eines PCs oder Laptops. Alternativ können Sie den Majority MP3 GO auch über das USB-Typ-C-Kabel mit USB-Stecker an eine Steckdose anschließen (der Stecker ist nicht im Lieferumfang enthalten).

Wenn Sie den Majority MP3 GO-Player über das USB-Typ-C-Kabel mit einem PC oder Laptop verbinden, haben Sie auf dem Bildschirm des MP3 GO-Players zwei Optionen zur Auswahl: 'Laden & Übertragen' - Wählen Sie diese Option, um Audiodateien auf dem MP3-Player zu laden und zu übertragen.

Laden & Abspielen' - Wählen Sie diese Option, um gleichzeitig zu laden und abzuspielen. Die Batterieanzeige des Majority MP3 GO zeigt an, wenn das Gerät fast leer ist und aufgeladen werden muss. Es dauert 3 Stunden, bis der Majority MP3 Go vollständig aufgeladen ist, wenn das Gerät nicht benutzt wird.

Dateiübertragung/Musik hinzufügen

Schalten Sie den Majority MP3 GO mit der 'Power'-Taste **(Ref.1)** aus, um ihn für die Übertragung vorzubereiten. Verbinden Sie den Majority MP3 GO über das USB-Typ-C-Kabel mit Ihrem Computer. (in der Verpackung enthalten). Nach der Verbindung mit dem PC oder Laptop wählen Sie auf dem Majority MP3 GO die Option 'Laden & Übertragen' und drücken Sie zur Bestätigung die 'POWER'-Taste **(Ref.1)**.

Der Majority MP3 GO wird von Ihrem Computer genauso erkannt wie ein USB-Stick. Ziehen Sie Audiodateien in unterstützten Formaten per Drag & Drop von Ihrem PC auf den Majority MP3 GO. Warten Sie, bis die Dateien vollständig übertragen sind, bevor Sie den Majority MP3 GO entfernen.

Stellen Sie nach der Übertragung sicher, dass der MP3 Go-Player zunächst sicher aus den Datei-Explorer-Optionen Ihres Computers ausgeworfen wird, bevor Sie das USB-Typ-C-Kabel abziehen.

Kompatible Betriebssysteme:

Windows 7/8/8.1/10/XP/11/Vista/2001/Mac OS.

Unterstützte Audioformate:

MP3/WMA/OGG/APE/FLAC/WAV/AA/AAX.

Musik abspielen

Drücken Sie die Taste 'MENU' **(Ref.3)**, um das 'Hauptmenü' aufzurufen.

Suchen Sie mit den Tasten 'Previous'/'Next' **(Ref.5 und 6)** und wählen Sie 'MUSIC'.

Drücken Sie zur Bestätigung die Taste 'ENTER' **(Ref.1)**.

Wählen Sie z.B. 'Alle Lieder' und starten Sie die Musikwiedergabe.

Titel überspringen

Drücken Sie die Tasten 'Previous'/'Next' **(Ref.5 & 6)**, um zum vorherigen/nächsten Titel zu springen.

Schneller Vorlauf/Rücklauf des Titels

Um zurückzuspulen, halten Sie die Taste 'Previous' **(Ref.5)** gedrückt. Lassen Sie sie los, um fortzufahren.

Um vorzuspulen, halten Sie die Taste 'Nächster' **(Ref.6)** gedrückt. Loslassen, um fortzufahren.

Eine Wiedergabeliste erstellen

Um eine Wiedergabeliste zu erstellen, wählen Sie im Hauptmenü die Option 'Musik', und erstellen Sie dann eine Wiedergabeliste mit einer der beiden folgenden Methoden:

Methode 1:

Blättern Sie im Menü 'MUSIK' mit den Tasten 'Zurück'/'Weiter' (**Ref.5 & 6**) durch die Optionen und wählen Sie 'Wiedergabeliste erstellen'. Drücken Sie die Taste 'OK' (**Ref.1**), um den Vorgang zu starten. Blättern Sie durch die Liste der Audiodateien und wählen Sie eine aus. Sobald sie markiert ist, drücken Sie die Taste 'OK' (**Ref.1**), um die Wiedergabe zu starten. Drücken Sie die Taste 'Hauptmenü' (**Ref.3**) und wählen Sie 'Zur Wiedergabeliste hinzufügen' aus den Menüoptionen. Wählen Sie die Wiedergabeliste, zu der Sie die Audiodatei hinzufügen möchten. Das Gerät fragt dann nach einer Bestätigung. Um den Titel hinzuzufügen, wählen Sie 'Ja'. Um den Vorgang abzubrechen, wählen Sie 'Nein', oder drücken Sie die Taste 'Zurück' (**Ref.4**), um eine andere Wiedergabeliste zu wählen. Wiederholen Sie die obigen Schritte, um weitere Titel hinzuzufügen.

Method 2:

Drücken Sie während der Wiedergabe eines Titels/einer Audiodatei, den/die Sie zu einer Wiedergabeliste hinzufügen möchten, die Taste 'Menü' (**Ref.3**). Blättern Sie mit den Pfeiltasten durch die Optionen und wählen Sie 'Zur Wiedergabeliste hinzufügen'. Drücken Sie zur Bestätigung die Taste 'OK' (**Ref.1**). Wählen Sie die Wiedergabeliste, zu der Sie die Audiodatei hinzufügen möchten, und bestätigen Sie Ihre Auswahl mit der Taste 'OK' (**Ref.1**).

MUSIC Menüoptionen

Drücken Sie beim Einschalten des Majority MP3 GO die Taste 'Menü' (**Ref.3**), um das Menü MUSIK aufzurufen. Drücken Sie zum Aufrufen des Menüs die Taste 'OK' (**Ref.1**).

Die folgenden Optionen stehen im Musikmenü zur Verfügung, wenn ein Titel nicht abgespielt wird:

Aktuelle Wiedergabe - wählen Sie diese Option, um die Wiedergabe fortzusetzen.

Alle Titel: Wählen Sie diese Option, um eine Liste aller Titel anzuzeigen.

Interpreten - wählen Sie diese Option, um Musik nach Interpreten anzuzeigen.

Alben - wählen Sie diese Option, um Musik nach Album anzuzeigen.

Genres - wählen Sie diese Option, um Musik nach Genre anzuzeigen.

Wiedergabelisten: Wählen Sie diese Option, um eine Wiedergabeliste abzuspielen.

Wiedergabeliste erstellen: Wählen Sie diese Option, um eine Wiedergabeliste zu erstellen.

Bitte beachten Sie: Sie können insgesamt 3 Wiedergabelisten mit jeweils bis zu 100 Titeln erstellen.

Drücken Sie während der Wiedergabe eines Titels die Taste 'MENU' (**Ref.3**), um das 'Musikmenü' aufzurufen. Verwenden Sie die Tasten 'Zurück' und 'Weiter' (**Ref.5 und 6**), um eine der folgenden Optionen aufzurufen. Drücken Sie die Taste 'OK', um Ihre Auswahl zu bestätigen (**Ref.1**).

Wiederholen

Mit 'Repeat 1' wiederholen Sie den aktuell gespielten Titel.

Repeat all' (Alles wiederholen), um die aktuelle Wiedergabeliste zu wiederholen.

Repeat OFF', um die bereits eingestellte Wiederholungsfunktion zu deaktivieren.

Wiederholungseinstellungen

Verwenden Sie diese Funktion, um eine Wiederholung eines bestimmten Teils des Liedes zu erstellen, den Sie wiederholt abspielen möchten, indem Sie den 'Wiederholungsmodus', das 'Antwortintervall' und die 'Antwortzeiten' einstellen.

Zufallswiedergabe

Spielen Sie Audiodateien in zufälliger Reihenfolge ab. Wählen Sie 'Zufallswiedergabe' als 'EIN' oder 'AUS' und drücken Sie dann zur Bestätigung die Taste 'OK' (**Ref.1**).

Klangeinstellungen - wählen Sie die variable Geschwindigkeit, Wiedergabe/Lautstärkebegrenzung oder den Equalizer.

Zur Wiedergabeliste hinzufügen - fügt einen Titel zu einer Wiedergabeliste hinzu.

Aus der Wiedergabeliste entfernen - entfernt den aktuell wiedergegebenen Titel aus der Wiedergabeliste.

Löschen: Löscht den Titel, der gerade vom MP3 GO-Player abgespielt wird.

Lesezeichen - Fügen Sie ein Lesezeichen hinzu, um die Wiedergabe einer Audiodatei an einer bestimmten Stelle zu starten. Sobald Sie das Lesezeichen ausgewählt haben, ist die Audiodatei unter 'Lesezeichen' verfügbar. Sie können bis zu 10 Lesezeichen setzen.

Der Majority MP3 GO kann mit den folgenden Schritten über Bluetooth mit Ohrhörern oder externen Lautsprechern gekoppelt werden:

1. Wählen Sie im Hauptmenü die Option 'Bluetooth' und drücken Sie die Taste 'OK', um die Funktion aufzurufen **(Ref.1)**.
2. Aktivieren Sie die Bluetooth-Verbindung auf dem Majority MP3 GO, indem Sie die 'Bluetooth Switch Control' aufrufen und 'Bluetooth Open' wählen. Drücken Sie zur Bestätigung die Taste 'OK' **(Ref.1)** und anschließend die Taste 'Zurück' **(Ref.4)**, um zum Bluetooth-Menü zurückzukehren.
3. Aktivieren Sie Bluetooth auf Ihrem Gerät und vergewissern Sie sich, dass Ihr Gerät sichtbar und bereit zum Koppeln ist. Suchen Sie nach Geräten auf dem Majority MP3 Go. Während der Suche erscheint auf dem Bildschirm neben dem Batteriesymbol ein blinkendes Symbol (für Bluetooth), das anzeigt, dass der Player nach verfügbaren Geräten in der Nähe sucht, mit denen er sich verbinden kann.
4. Eine Liste der gefundenen Geräte wird dann auf dem Majority MP3 GO angezeigt. Wählen Sie das Gerät aus, mit dem Sie eine Verbindung herstellen möchten, und drücken Sie dann die Taste 'OK' **(Ref.1)**, um die Verbindung zu bestätigen und herzustellen. Warten Sie ein paar Sekunden, bis die Verbindung hergestellt ist. Nach erfolgreicher Kopplung erscheint auf dem Bildschirm die Meldung 'Verbunden' und Sie können nun Musik vom Majority MP3 GO über Ihr Bluetooth-Audioausgabegerät abspielen.

Wenn die Verbindung fehlschlägt, versuchen Sie bitte dieselben Schritte wie unter Punkt 2, 3 und 4 beschrieben erneut.

Um die Verbindung zwischen Majority MP3 GO und einem bereits gekoppelten Gerät zu trennen, entfernen Sie Ihr Gerät aus der 'Geräteliste'.

Um Bluetooth auf dem Majority MP3 GO auszuschalten, öffnen Sie die 'Bluetooth-Schaltersteuerung' und wählen Sie 'Bluetooth AUS'.

Wählen Sie im Hauptmenü 'Aufnahmen' und drücken Sie die Taste 'OK' (**Ref.1**), um die Aufnahme zu starten.

Erstellen Sie eine Sprachaufnahme.

- Wählen Sie 'Sprachaufnahme starten' und drücken Sie dann die Taste 'OK' (**Ref.1**), um die Aufnahme zu starten.
- Das Gerät beginnt nun mit der Aufnahme über das eingebaute Mikrofon.
- Wenn Sie mit der Aufnahme fertig sind, drücken Sie die Taste 'OK', um die Aufnahme zu unterbrechen/anhalten (**Ref.1**).
- Drücken Sie die Taste 'Zurück' (**Ref.4**) und wählen Sie dann 'Ja' oder 'Nein', um die Aufnahme zu speichern oder zu löschen.

Aufnahmeformat - Wählen Sie das Format für Ihre Aufnahmen: MP3- oder WAV-Aufnahmedatei.

Aufnahmeeinstellungen - Wählen Sie diese Option, um die Bitrateneinstellungen des Rekorders auszuwählen und anzupassen. Mit den Bitrateneinstellungen können Sie die Aufzeichnungsbitrate auf 512, 768, 1024 und 1536kbps (Kilobit pro Sekunde) ändern.

Aufzeichnungsbibliothek - Wählen Sie diese Option, um die Liste Ihrer Aufzeichnungen anzuzeigen.

FOLDER VIEW (Ansicht aller Dateien)

Wählen Sie 'Ordneransicht' aus dem Hauptmenü, um eine Liste aller auf dem Majority MP3 Go verfügbaren Dateien/Ordner anzuzeigen. Verbinden Sie den Majority MP3 GO über das mitgelieferte USB-Typ-C-Kabel mit einem Computer/Laptop, um von Ihrem Computer aus auf die 'Ordneransicht' zuzugreifen. Sobald die Verbindung hergestellt ist, suchen Sie den Majority MP3 GO'.

WALLPAPER

Wählen Sie im Hauptmenü die Option 'Hintergrundbild' und drücken Sie dann die Taste 'OK' (**Ref.1**), um das Hintergrundbild zu ändern. Jedes Mal, wenn Sie die Taste 'OK' (**Ref.1**) drücken, erstellt der Majority MP3 Go ein neues Hintergrundbild. Sie haben die Wahl zwischen 6 Hintergrundbildern.

STOPPUHR

Wählen Sie im Hauptmenü die Option 'Stoppuhr' und drücken Sie dann die Taste 'OK' (**Ref.1**). Starten Sie einen Timer und drücken Sie dann die Taste 'OK' (**Ref.1**), um ihn anzuhalten oder zu stoppen. Drücken Sie die Taste 'Menü' (**Ref.3**), um die Daten zurückzusetzen.

KALENDER

Wählen Sie im Hauptmenü die Option 'Kalender' und drücken Sie dann die Taste 'OK' (**Ref.1**), um das Kalenderdatum anzuzeigen.

EINSTELLUNGEN

Um die wichtigsten Einstellungen des MP3 Go-Players anzuzeigen und zu ändern, wählen Sie im Hauptmenü 'Einstellungen'. Verwenden Sie die Tasten 'Zurück' und 'Weiter' (**Ref.5 und 6**), um die gewünschte Option auszuwählen, und drücken Sie die Taste 'OK' (**Ref.1**), um das jeweilige Untermenü aufzurufen.

Sprache - Wählen Sie diese Option, um die Sprache des Gerätemenüs zu ändern. Wählen Sie Ihre bevorzugte Sprache aus einer Liste von 30 verfügbaren Sprachen.

Anzeigeeinstellungen - Wählen Sie diese Option, um die Helligkeit des Bildschirms zu ändern, einen Timer für die Hintergrundbeleuchtung oder einen Bildschirmschoner einzustellen.

Einschlaf timer - Wählen Sie diese Option, um einen Einschlaf timer mit automatischer Ausschaltfunktion zu aktivieren.

Ausschalt timer - Wählen Sie diese Option, um die Einstellungen für die automatische Abschaltung bei Inaktivität des Majority MP3 GO anzupassen.

Datum und Uhrzeit - Wählen Sie die Datums- und Uhrzeiteinstellungen aus und passen Sie sie an.

Informationen - Wählen Sie diese Option, um Informationen über die Firmware-Version und den verbleibenden Speicherplatz des Majority MP3 GO anzuzeigen.

Werkseinstellungen - Wählen Sie diese Option, um den Majority MP3 GO-Player auf die Werkseinstellungen zurückzusetzen.

Gerät formatieren - Wählen Sie diese Option, um das Gerät zu formatieren und alle Daten und Dateien zu löschen. *Bitte beachten Sie: Wenn Sie eine SD-Karte eingelegt haben, müssen Sie diese entfernen, bevor Sie 'Gerät formatieren' wählen, da sonst alle Daten von der SD-Karte gelöscht werden.*

Beobachtung	Mögliche Ursache/Lösung
Der Majority MP3 Go schaltet sich nicht ein.	Prüfen Sie, ob sich der Majority MP3 Go im Standby-Modus befindet. Prüfen Sie, ob der Player vollständig aufgeladen ist.
Der Majority MP3 Go lässt sich nicht einschalten, das Display ist schwarz.	Überprüfen Sie, ob der Player vollständig aufgeladen ist.
Die hochgeladenen Audiodateien können nicht abgespielt werden.	Prüfen Sie, ob die vom Computer hochgeladenen Audiodateien in unterstützten Formaten vorliegen.
Externe Bluetooth-Lautsprecher/Audioausgangsquelle können nicht verbunden werden.	Überprüfen Sie, ob Bluetooth auf dem Majority MP3 Go-Player und auf Ihrem Gerät aktiviert ist, und stellen Sie die Verbindung wieder her. Prüfen Sie, ob Ihr externer Lautsprecher kompatibel ist mit Bluetooth version 5.0.
Kein Ton.	Erhöhen Sie die Lautstärke. Prüfen Sie, ob die Audiodateien in unterstützten Formaten vorliegen.
Die Schaltflächen funktionieren nicht.	Prüfen Sie, ob der Majority MP3 GO gesperrt ist. Schieben Sie die 'HOLD'-Taste nach rechts, um die Sperre aufzuheben. Führen Sie einen Display-Reset durch, indem Sie einen Stift in das Reset-Loch stecken (Ref.13).

Support

If you require further assistance with your Majority MP3 GO, please contact our tech support team on the Majority website: www.majority.co.uk/support

Produkt-Spezifikation

Bildschirm	1.54 inch 240*240 IPS screen
MP3 GO-Speicher	16GB
Bluetooth Version	Bluetooth 5.0
Aufnahmeformat	MP3 Rec/ WAV Rec
Micro-SD-Karte	Kompatibel mit SD-Karten bis zu 128 GB
Batterie	Li-Polymer wiederaufladbar 300mAh
Aufladezeit	3 Stunden

Garantie

Um Ihre erweiterte 3-Jahres-Garantie zu aktivieren und Zugang zu allen Vorteilen und lebenslangem technischen Support zu erhalten, registrieren Sie Ihren Majority MP3 GO innerhalb von 30 Tagen nach dem Kauf auf der Majority-Website:
<https://www.majority.co.uk/register/>

1. Lesen Sie diese Anleitung.
2. Bewahren Sie diese Anleitung auf. Die Anleitung kann auch unter www.majority.co.uk heruntergeladen werden.
3. Beachten Sie alle Warnungen.
4. Befolgen Sie alle Anweisungen.
5. Reinigen Sie das Gerät nicht in der Nähe von oder mit Wasser.
6. Blockieren Sie keine Lüftungsöffnungen. Installieren Sie das Gerät in Übereinstimmung mit den Anweisungen des Herstellers.
7. Blockieren Sie keine Lüftungsöffnungen. Installieren Sie das Gerät in Übereinstimmung mit den Anweisungen des Herstellers.
8. Installieren Sie das Gerät nicht in der Nähe von Wärmequellen wie Heizkörpern, Heizregistern, Öfen oder anderen Geräten, die Wärme erzeugen.
9. Schützen Sie das Netzkabel, insbesondere an Steckern, Steckdosen und an der Stelle, an der es aus dem Gerät austritt, dafür, dass darauf getreten oder es eingeklemmt wird.
10. Verwenden Sie nur das vom Hersteller angegebene Zubehör.
11. Ziehen Sie den Netzstecker bei Gewitter oder wenn Sie das Gerät längere Zeit nicht benutzen.
12. Überlassen Sie alle Wartungsarbeiten qualifiziertem Servicepersonal.
13. Stellen Sie keine offenen Flammen, wie z. B. eine brennende Kerze, auf das Gerät.
14. Entsorgen Sie verbrauchte Elektrogeräte und Batterien sicher und entsprechend den örtlichen Behörden und Vorschriften.

ZUSÄTZLICHE WARNHINWEISE

Das Gerät darf nicht tropfenden, spritzenden oder mit Wasser gefüllten Gegenständen ausgesetzt werden.

Der Netzstecker dient zum Trennen des Geräts vom Stromnetz. Um das Gerät vollständig vom Stromnetz zu trennen, sollte der Netzstecker vollständig aus der Steckdose gezogen werden.

Die Batterie darf keiner übermäßigen Hitze ausgesetzt werden.

RECYCLING VON ELEKTROGERÄTEN

Recyceln Sie jetzt Ihre Elektroaltgeräte und helfen Sie damit der Umwelt.



Dieses Symbol bedeutet, dass ein elektrisches Produkt nicht mit dem normalen Hausmüll entsorgt werden darf. Bitte stellen Sie sicher, dass das Gerät nach Gebrauch einer geeigneten Entsorgungsstelle zugeführt wird.

WICHTIG: Bitte lesen Sie alle Anweisungen vor dem Gebrauch sorgfältig durch und bewahren Sie sie zum späteren Nachschlagen auf.



Gefahr eines Stromschlags.
Nicht öffnen.



Lesen Sie alle Anweisungen vor dem Gebrauch sorgfältig durch und bewahren Sie sie zum späteren Nachschlagen auf.



Verwenden Sie im Servicefall nur identische Ersatzteile.



ACHTUNG

GEFAHR EINES ELEKTRISCHEN
SCHLAGES NICHT ÖFFNEN



VORSICHT

RISQUE D'ELECTROCUTION NE
PAS OUVRIR



WICHTIG: Bitte lesen Sie alle Anweisungen vor dem Gebrauch sorgfältig durch und bewahren Sie sie zum späteren Nachschlagen auf.



MP3 GO Player 16GB

Manuel de l'utilisateur

MAJORITY

HOME AUDIO • CAMBRIDGE

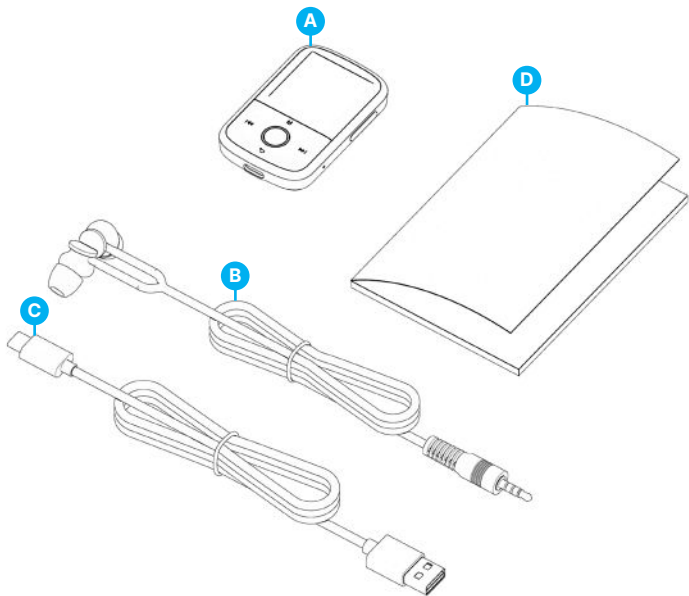
Que contient la boîte ?.....	3
Contrôles et fonctions	4
Guide d'instructions	5
Fonctionnement de base	5
Musique.....	6
Bluetooth.....	9
Enregistrements vocaux	10
Vue du dossier	11
Papier peint	11
Chronomètre	11
Calendrier	11
Paramètres	12
Dépannage et assistance	13
Spécifications du produit et garantie	14
Informations sur la sécurité	15

3 Ans

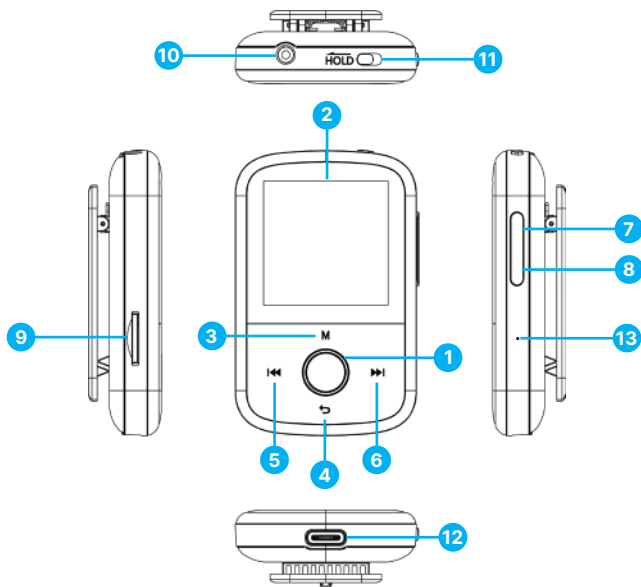
Enregistrez votre produit en ligne pour bénéficier d'une extension de garantie GRATUITE de 3 ans sur:
www.majority.co.uk

Que contient la boîte ?

- A. Lecteur MP3 GO de Majority 16GB
- B. Écouteurs
- C. Câble de charge USB Type-C
- D. Guide d'instructions



Lecteur MP3



- | | | | |
|----|---|-----|---|
| 1. | Bouton Lecture/Pause/Mise sous tension/OFF/OK/Entrée | 7. | Volume + |
| 2. | Écran IPS de 1,54 | 8. | Volume - |
| 3. | Bouton de menu | 9. | Fente pour carte micro SD |
| 4. | Bouton Retour | 10. | Prise pour écouteurs |
| 5. | Précédent / Maintenir enfoncé pour reculer rapidement | 11. | Maintien du verrouillage/déverrouillage |
| 6. | Suivant / Maintenir pour avancer rapidement | 12. | Port de charge de type C |
| | | 13. | Réinitialisation |

Veillez noter que les instructions contenues dans ce manuel d'utilisation font référence au numéro du bouton de l'appareil, par exemple (Ref. 'Numéro'), comme indiqué dans les diagrammes de la page 4.

Marche/Arrêt

Appuyez sur le bouton 'Power' (**Ref.1**) et maintenez-le enfoncé pendant 2 à 3 secondes pour allumer ou éteindre l'appareil.

Mode veille

Lorsque l'écran devient noir, appuyez sur le bouton 'Power' (**Ref.1**) pour sortir le lecteur Majority MP3 GO du mode veille.

Bouton 'Hold' - Verrouillage/Déverrouillage

Faites glisser le bouton 'Hold' (**Ref.11**) vers la gauche pour maintenir/verrouiller le Majority MP3 GO ou faites-le glisser vers la droite pour le déverrouiller.

Remarque : lorsque le Majority MP3 GO est verrouillé, les boutons ne fonctionnent pas. Assurez-vous que l'appareil est déverrouillé pour reprendre les opérations.

Naviguer dans les options du menu/sous-menu.

Utilisez les boutons 'Précédent' et 'Suivant' (**Ref.5 & 6**) pour naviguer et mettre en surbrillance votre sélection dans chaque menu ou sous-menu, puis appuyez sur le bouton 'OK' (**Ref.1**) pour accéder/entrer ou confirmer ce qui est décrit dans ce manuel.

Chargement

Préparez le Majority MP3 GO pour le chargement. Pour commencer, éteignez l'appareil avant de le charger.

À l'aide du câble USB Type-C fourni dans la boîte, insérez l'extrémité micro USB dans le port de charge USB du Majority MP3 GO (**Ref.12**), et l'autre extrémité dans un port USB d'un PC ou d'un ordinateur portable. Vous pouvez également brancher le Majority MP3 GO sur une prise murale à l'aide du câble USB Type-C muni d'une prise USB (la prise n'est pas fournie dans la boîte).

Lorsque vous connectez le lecteur Majority MP3 GO à un PC ou à un ordinateur portable à l'aide du câble USB Type-C, vous aurez le choix entre deux options affichées sur l'écran du lecteur MP3 GO : 'Charge & Transfer'- Sélectionnez cette option pour charger et transférer des fichiers audio sur le lecteur MP3.

'Charge & Play'- Sélectionnez cette option pour charger et lire en même temps.

L'indicateur de batterie du Majority MP3 GO indiquera si l'appareil est faible et s'il doit être rechargé. Il faut 3 heures pour que le Majority MP3 Go soit complètement chargé lorsque l'appareil n'est pas utilisé.

Transfert de fichiers/Ajout de musique

Éteignez le Majority MP3 GO à l'aide du bouton 'Power' (**Ref.1**) pour préparer le transfert. Connectez le Majority MP3 GO à votre ordinateur à l'aide du câble USB Type-C. (inclus dans la boîte). Une fois connecté avec un PC ou un ordinateur portable, sélectionnez ' Charge & Transfer ' sur le Majority MP3 Go, puis appuyez sur le bouton ' POWER ' (**Ref.1**) pour confirmer.

Le Majority MP3 GO sera reconnu par votre ordinateur de la même manière qu'une clé USB. Glissez-déposez les fichiers audio dans les formats supportés depuis votre PC vers le Majority MP3 GO. Attendez que les fichiers soient complètement transférés avant de retirer le Majority MP3 GO.

Une fois transférés, assurez-vous que le lecteur MP3 Go est d'abord éjecté en toute sécurité des options de l'explorateur de fichiers de votre ordinateur avant de déconnecter le câble USB Type-C.

Systèmes d'exploitation compatibles :

Windows 7/8/8.1/10/XP/11/Vista/2001/Mac OS.

Formats audio pris en charge :

MP3/WMA/OGG/APE/FLAC/WAV/AA/AAX.

Jouer de la musique

Appuyez sur le bouton 'MENU' (**Ref.3**) pour accéder au 'Menu principal'.

A l'aide des touches 'Précédent'/'Suivant' (**Ref.5 et 6**), recherchez et sélectionnez 'MUSIQUE'.

Appuyez sur la touche 'ENTER' (**Ref.1**) pour confirmer.

Sélectionnez par exemple 'Toutes les chansons' et lancez la lecture de votre musique.

Sauter une piste

Appuyez sur les touches 'Précédent'/'Suivant' (**Ref.5 & 6**) pour passer à la piste précédente/suivante.

Avance rapide/Rembobinage de la piste

Pour revenir en arrière, appuyez sur le bouton 'Précédent' (**Ref.5**) et maintenez-le enfoncé. Relâchez-la pour reprendre.

Pour avancer rapidement, appuyez sur le bouton 'Suivant' (**Ref.6**) et maintenez-le enfoncé. Relâcher pour reprendre.

Créer une liste de lecture

Pour créer une liste de lecture, sélectionnez 'Musique' dans le menu principal, puis créez une liste de lecture en utilisant l'une des deux méthodes suivantes :

Méthode 1 :

Dans 'MUSIQUE', faites défiler les options à l'aide des boutons 'Précédent'/'Suivant' (**Ref.5 & 6**) et sélectionnez 'Créer une liste de lecture'. Appuyez sur le bouton 'OK' (**Ref.1**) pour entrer. Faites défiler la liste des fichiers audio et sélectionnez-en un. Une fois surligné, appuyez sur la touche 'OK' (**Ref.1**) pour lancer la lecture. Appuyez sur la touche 'Main Menu' (**Ref.3**) et sélectionnez 'Add to Playlist' dans les options du menu. Sélectionnez la liste de lecture dans laquelle vous souhaitez ajouter le fichier audio. L'appareil demande alors une confirmation. Pour ajouter la chanson, sélectionnez 'Oui'. Pour annuler, sélectionnez 'Non', ou appuyez sur le bouton 'retour' (**Ref.4**) pour choisir une autre liste de lecture. Répétez les étapes ci-dessus pour ajouter d'autres chansons.

Méthode 2 :

Pendant la lecture d'une chanson ou d'un fichier audio que vous souhaitez ajouter à une liste de lecture, appuyez sur le bouton 'Menu' (**Ref.3**). Faites défiler les options à l'aide des boutons fléchés et sélectionnez 'Ajouter à la liste de lecture'. Appuyez sur la touche 'OK' (**Ref.1**) pour confirmer. Sélectionnez la liste de lecture dans laquelle vous souhaitez ajouter le fichier audio et confirmez votre sélection à l'aide de la touche 'OK' (**Ref.1**).

Options du menu MUSIQUE

Lors de la mise sous tension du Majority MP3 GO, appuyez sur le bouton 'Menu' (**Ref.3**), pour entrer dans le Menu MUSIQUE. Appuyez sur le bouton 'OK' (**Ref.1**) pour y accéder.

Les options suivantes sont disponibles dans le menu Musique lorsqu'une chanson n'est pas en cours de lecture :

En cours de lecture - sélectionnez cette option pour reprendre la lecture.

Toutes les chansons - sélectionnez cette option pour afficher la liste de toutes les chansons.

Artistes - permet d'afficher la musique par artiste.

Albums - permet d'afficher la musique par album.

Genres - permet d'afficher la musique par genre.

Listes de lecture : sélectionnez cette option pour lire une liste de lecture.

Créer une liste de lecture : sélectionnez cette option pour commencer à créer une liste de lecture.

Remarque : vous pouvez créer au total 3 listes de lecture de 100 chansons chacune.

Pendant la lecture d'une chanson, appuyez sur le bouton 'MENU' (**Ref.3**), pour accéder au 'Menu Musique'. Utilisez les touches 'Précédent' et 'Suivant' (**Ref.5 & 6**) pour accéder à l'une des options ci-dessous. Appuyez sur la touche 'OK' pour confirmer (**Ref.1**) votre sélection.

Répéter

Répéter 1' pour répéter la chanson en cours de lecture.

Répéter tout' pour répéter la liste de lecture en cours de lecture.

Répéter OFF' pour annuler la fonction de répétition déjà réglée.

Paramètres de repetition

Utilisez cette fonction pour créer une répétition d'une partie spécifique de la chanson que vous souhaitez jouer de manière répétée en réglant le 'Mode de répétition', l'Intervalle de réponse' et les 'Temps de réponse'.

Aléatoire

Lire les fichiers audio dans un ordre aléatoire. Sélectionnez 'ON' ou 'OFF' pour la lecture aléatoire, puis appuyez sur le bouton 'OK' (**Ref.1**) pour confirmer.

Réglages du son - sélectionnez la vitesse variable, la limite de lecture/volume ou l'égaliseur.

Ajouter à la liste de lecture : ajoute une chanson à une liste de lecture.

Retirer de la liste de lecture : supprime la chanson en cours de lecture de la liste de lecture.

Supprimer : supprimer la chanson en cours de lecture du lecteur MP3 GO.

Signets : ajoutez un signet pour commencer la lecture d'un fichier audio à partir d'un point spécifique. Une fois sélectionné, le fichier audio mis en signet sera disponible sous ' Signets '. Vous pouvez définir jusqu'à 10 signets.

Le Majority MP3 GO peut être couplé via Bluetooth avec des écouteurs ou un haut-parleur externe en suivant les étapes suivantes :

1. Sélectionnez 'Bluetooth' dans le menu principal, puis appuyez sur le bouton 'OK' pour entrer **(Ref.1)**.
2. Activez la connexion Bluetooth sur le Majority MP3 GO en entrant dans le 'Bluetooth Switch Control' et sélectionnez 'Bluetooth Open'. Appuyez sur le bouton 'OK' **(Ref.1)** pour confirmer, puis appuyez sur le bouton 'Retour' **(Ref.4)** pour revenir au Menu Bluetooth.
3. Activez le Bluetooth sur votre appareil, en vous assurant que votre appareil est visible et prêt à s'appairer. Recherchez les appareils sur le site Majority MP3 Go. Pendant la recherche, une icône clignotante (indiquant Bluetooth) sera visible sur l'écran à côté de l'icône de la batterie, ce qui signifie que le lecteur recherche des appareils disponibles autour de lui pour s'appairer.
4. Une liste des appareils trouvés s'affiche alors sur le Majority MP3 GO. Sélectionnez celui avec lequel vous souhaitez vous associer, puis appuyez sur le bouton 'OK' **(Ref.1)** pour confirmer l'association et la connexion. Attendez quelques secondes pour que la connexion soit établie. Une fois l'appairage réussi, l'écran affichera 'Connecté' et vous pourrez alors commencer à écouter de la musique à partir du Majority MP3 GO via votre appareil de sortie audio Bluetooth.

Si la connexion échoue, essayez à nouveau les étapes décrites aux points 2, 3 et 4.

Pour déconnecter le Majority MP3 GO d'un appareil déjà appairé, retirez le vôtre de la 'Liste des appareils'.

Pour désactiver le Bluetooth sur le Majority MP3 GO, accédez au 'Contrôle du commutateur Bluetooth' et sélectionnez 'Bluetooth OFF'.

Dans le menu principal, sélectionnez 'Enregistrements' et appuyez sur la touche 'OK' **(Ref.1)** pour y accéder.

Créez un enregistrement vocal.

- Sélectionnez 'Démarrer l'enregistrement vocal' puis appuyez sur le bouton 'OK' **(Ref.1)** pour démarrer l'enregistrement.
- L'appareil commence alors à enregistrer à l'aide du microphone intégré.
- Une fois l'enregistrement terminé, appuyez sur la touche 'OK' pour mettre en pause/arrêter **(Ref.1)**.
- Appuyez sur la touche 'Retour' **(Ref.4)** puis sélectionnez 'Oui' ou 'Non' pour sauvegarder ou supprimer l'enregistrement.

Format d'enregistrement - Sélectionnez cette option pour choisir le format de vos enregistrements : MP3 ou WAV.

Paramètres d'enregistrement - Sélectionnez cette option pour choisir et régler les paramètres de débit de l'enregistreur. Les paramètres de débit vous permettent de modifier le débit d'enregistrement en 512, 768, 1024 et 1536 kbps (kilobits par seconde).

Bibliothèque d'enregistrements - Sélectionnez cette option pour afficher la liste de vos enregistrements.

VUE DES DOSSIERS (Voir tous les fichiers)

Sélectionnez 'Vue des dossiers' dans le menu principal pour afficher une liste de tous les fichiers/dossiers disponibles sur le Majority MP3 Go. Connectez le Majority MP3 GO avec un ordinateur/portable à l'aide du câble USB Type-C inclus dans la boîte pour accéder à 'Folder View' depuis votre ordinateur. Une fois connecté, trouvez le 'Majority MP3 GO'.

FOND D'ÉCRAN

Sélectionnez 'Fond d'écran' dans le menu principal, puis appuyez sur le bouton 'OK' **(Ref.1)** pour changer le fond d'écran. Chaque fois que vous appuyez sur la touche 'OK' **(Ref.1)**, le Majority MP3 Go génère un nouveau fond d'écran. Vous avez le choix entre 6 fonds d'écran.

CHRONOMÈTRE

Sélectionnez 'Chronomètre' dans le menu principal, puis appuyez sur le bouton 'OK' pour entrer **(Ref.1)**. Lancez un chronomètre, puis appuyez sur la touche 'OK' **(Ref.1)** pour le mettre en pause ou l'arrêter. Appuyez sur la touche 'Menu' **(Ref.3)** pour réinitialiser les données.

CALENDRIER

Sélectionnez 'Calendrier' dans le menu principal, puis appuyez sur la touche 'OK' **(Ref.1)** pour afficher la date du calendrier.

PARAMÈTRES

Pour afficher et modifier les principaux paramètres du lecteur MP3 Go, sélectionnez 'Paramètres' dans le menu principal. Utilisez les boutons 'Précédent' et 'Suivant' (**Ref.5 & 6**) pour sélectionner votre option, appuyez sur le bouton 'OK' (**Ref.1**) pour accéder à chaque sous-menu.

Langue - Sélectionnez cette option pour modifier la langue du menu de l'appareil. Choisissez votre langue préférée parmi une liste de 30 langues disponibles.

Réglages de l'affichage - Permet de modifier la 'luminosité' de l'écran, de définir une 'minuterie de rétroéclairage' ou un 'économiseur d'écran'.

Minuterie de mise en veille - Permet d'activer une 'minuterie de mise en veille' avec des paramètres d'extinction automatique.

Minuterie de mise hors tension - Permet de régler les paramètres de mise hors tension automatique lorsqu'il n'y a pas d'activité sur le Majority MP3 GO.

Date et heure - Sélectionnez et réglez les paramètres de date et d'heure.

Information - Sélectionnez cette option pour afficher les informations relatives à la version du micrologiciel et à l'espace disque restant disponible sur le Majority MP3 GO.

Réglages d'usine - Sélectionnez cette option pour restaurer les réglages d'usine du lecteur Majority MP3 GO.

Formater l'appareil - Sélectionnez cette option pour formater l'appareil et supprimer toutes les données et tous les fichiers.

Remarque : si une carte SD est insérée dans l'appareil, elle doit être retirée avant d'utiliser 'Format Device', sinon toutes les données de la carte SD seront supprimées.

Observation	Cause potentielle/solution
Le Majority MP3 Go ne s'allume pas s'allume pas.	Vérifiez si le Majority MP3 Go est en mode veille. Vérifier si le lecteur est complètement complètement chargé.
La majorité des MP3 Go ne s'allume pas, l'écran est noir. ne s'allume pas, l'écran est noir.	Insérer une épingle dans le trou de réinitialisation 'Reset' (Ref.13) .
Impossible de lire les fichiers audio téléchargés.	Vérifiez que les fichiers audio téléchargés depuis l'ordinateur sont dans des formats compatibles.
Le haut-parleur externe Bluetooth/ source de sortie audio ne peut pas pas se connecter.	Vérifiez que le Bluetooth est activé sur le lecteur Majority MP3 Go et sur votre appareil, et reconnectez-vous. Vérifiez que votre haut-parleur externe est compatible avec Bluetooth version 5.0.
Pas de son.	Augmenter le volume. Vérifier si les fichiers audio sont dans des formats pris en charge.
Les boutons ne fonctionnent pas.	Vérifiez si le bouton Majority MP3 GO est verrouillé. Faites glisser le bouton 'HOLD' vers la droite pour déverrouiller. déverrouiller. Réinitialisez l'affichage en insérant une épingle dans le trou de réinitialisation (Ref.13) .

Assistance

Si vous avez besoin d'aide avec votre Majority MP3 GO, veuillez contacter notre équipe d'assistance technique sur le site Internet de Majority :

www.majority.co.uk/support

Spécification du produit

Écran	1.54 inch 240*240 IPS screen
Mémoire MP3 GO	16GB
Bluetooth Version	Bluetooth 5.0
Format d'enregistrement	MP3 Rec/ WAV Rec
Carte Micro-SD	Compatible avec les cartes SD jusqu'à 128 Go
Batterie	Li-polymère rechargeable 300mAh
Temps de charge	3 hours

Garantie

Pour activer votre extension de garantie de 3 ans et accéder à tous les avantages et au support technique à vie, enregistrez votre Majority MP3 GO dans les 30 jours suivant l'achat sur le site Internet de Majority : <https://www.majority.co.uk/register/>.

1. Lisez ces instructions.
2. Conservez ces instructions. Les instructions peuvent également être téléchargées à l'adresse suivante : www.majority.co.uk.
3. Tenez compte de tous les avertissements.
4. Suivez toutes les instructions.
5. Ne pas nettoyer l'appareil à proximité ou avec de l'eau.
6. N'obstruez pas les ouvertures de ventilation. Installez l'appareil conformément aux instructions du fabricant.
7. N'obstruez pas les ouvertures de ventilation. Installez l'appareil conformément aux instructions du fabricant.
8. N'installez pas l'appareil à proximité de sources de chaleur telles que des radiateurs, des bouches de chaleur, des poêles ou d'autres appareils produisant de la chaleur.
9. Protégez l'alimentation contre les piétinements et les pincements, en particulier au niveau des fiches, des prises de courant et du point de sortie de l'appareil.
10. N'utilisez que les accessoires spécifiés par le fabricant.
11. Débranchez cet appareil en cas d'orage ou lorsqu'il n'est pas utilisé pendant de longues périodes.
12. Confiez toute réparation à un personnel qualifié.
13. Aucune source de flamme nue, telle qu'une bougie allumée, ne doit être placée sur l'appareil.
14. Mettez au rebut les produits électriques et les piles usagés en toute sécurité, conformément aux autorités et aux réglementations locales.

AVERTISSEMENTS SUPPLÉMENTAIRES

L'appareil ne doit pas être exposé à des gouttes, des éclaboussures ou des objets remplis d'eau.

La fiche principale sert à débrancher l'appareil. Pour déconnecter complètement l'appareil du réseau électrique, il convient de débrancher complètement la fiche secteur de la prise de courant.

La batterie ne doit pas être exposée à une chaleur excessive.

RECYCLAGE DES PRODUITS ÉLECTRIQUES

Vous devriez maintenant recycler vos produits électriques usagés et contribuer ainsi à la protection de l'environnement.



Ce symbole signifie qu'un produit électrique ne doit pas être jeté avec les ordures ménagères. Veillez à ce qu'il soit déposé dans un endroit approprié pour être mis au rebut une fois l'opération terminée.

IMPORTANT : Veuillez lire attentivement toutes les instructions avant utilisation et les conserver pour référence ultérieure.



Risque d'électrocution.
Ne pas ouvrir.



Lire attentivement toutes les instructions avant utilisation et les conserver pour référence ultérieure.



En cas d'entretien, n'utilisez que des pièces de rechange identiques.



ATTENTION

RISK OF ELECTRIC SHOCK DO NOT OPEN



CAUTION

RISQUE D'ELECTROCUTION NE PAS OUVRIR



IMPORTANT : Veuillez lire attentivement toutes les instructions avant utilisation et les conserver pour référence ultérieure.



MP3 GO Player 16GB

Manuale d'uso

MAJORITY

HOME AUDIO • CAMBRIDGE

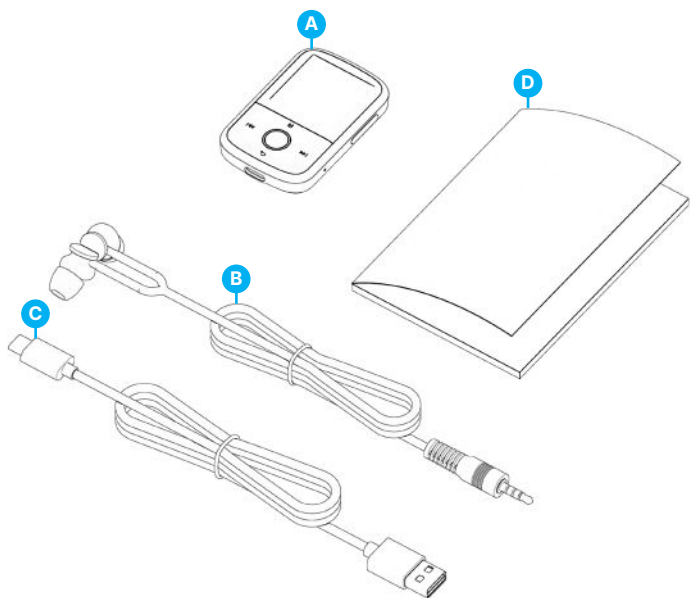
Cosa c'è nella scatola?.....	3
Controlli e funzioni	4
Guida alle istruzioni	5
Funzionamento di base	5
Musica.....	6
Bluetooth.....	9
Registrazioni vocali	10
Vista cartella	11
Wallpaper	11
Cronometro	11
Calendario	11
Impostazioni	12
Risoluzione dei problemi e assistenza	13
Specifiche e garanzia del prodotto	14
Informazioni sulla sicurezza	15

3 Anni
Di Garanzia

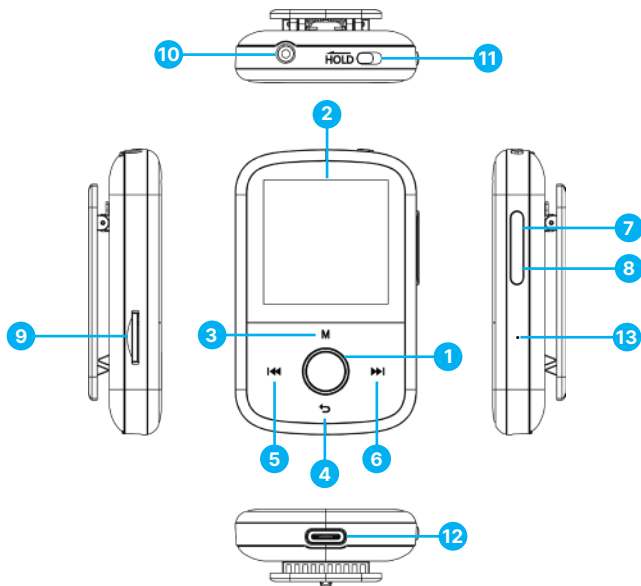
Registra il tuo prodotto online e ricevi un'estensione di garanzia di 3 anni GRATIS su:
www.majority.co.uk

Cosa c'è nella scatola?

- A. Lettore MP3 GO Majority 16GB
- B. Auricolari
- C. Cavo di ricarica USB Tipo-C
- D. Guida alle istruzioni



Lettores MP3 Go



- | | |
|---|------------------------------|
| 1. Pulsante Play/Pausa/Accensione/OFF/OK/Invio | 7. Volume + |
| 2. Schermo IPS da 1,54 | 8. Volume - |
| 3. Pulsante Menu | 9. Slot per scheda Micro SD |
| 4. Pulsante Indietro | 10. Jack per auricolare |
| 5. Precedente / Tenere premuto per tornare indietro velocemente | 11. Blocca/sblocca |
| 6. Successivo / Tenere premuto per avanzare rapidamente | 12. Porta di ricarica Type-C |
| | 13. Reset |

Le istruzioni contenute nel presente manuale d'uso si riferiscono al numero del pulsante sull'unità (ad esempio, 'Numero'), come indicato nei diagrammi a pagina 4.

Accensione e spegnimento

Tenere premuto il pulsante 'Power' (**Ref.1**) per 2-3 secondi per accendere/spegnere l'unità.

Modalità standby

Quando lo schermo diventa nero, premere il pulsante 'Power' (**Ref.1**) per far uscire il lettore Majority MP3 GO dalla modalità Standby.

Pulsante Hold - Blocco/Sblocco

Far scorrere il pulsante 'Hold' (**Ref.11**) verso sinistra per bloccare il lettore Majority MP3 GO o verso destra per sbloccarlo.

Nota bene: quando Majority MP3 GO è bloccato, i pulsanti non funzionano. Assicurarsi che il dispositivo sia sbloccato per riprendere le operazioni.

Navigare tra le opzioni del menu/sottomenu.

Utilizzare i pulsanti 'Precedente' e 'Successivo' (**Ref.5 e 6**) per navigare ed evidenziare la selezione all'interno di ciascun menu o sottomenu, quindi premere il pulsante 'OK' (**Ref.1**) per accedere/entrare o confermare come descritto in questo manuale.

Ricarica

Preparare il Majority MP3 GO per la ricarica. Per iniziare, spegnere il dispositivo prima di caricarlo.

Utilizzando il cavo USB Type-C fornito nella confezione, inserire l'estremità micro USB nella porta di ricarica USB di Majority MP3 GO (**Ref.12**) e l'altra estremità in una porta USB di un PC o di un portatile. In alternativa, collegare Majority MP3 GO a una presa di corrente utilizzando il cavo USB Type-C con spina USB (la spina non è inclusa nella confezione).

Quando si collega il lettore Majority MP3 GO a un PC o a un laptop utilizzando il cavo USB Type-C, sullo schermo del lettore MP3 GO vengono visualizzate due opzioni tra cui scegliere: 'Charge & Transfer' - Selezionare questa opzione per caricare e trasferire i file audio sul lettore MP3.

Carica e Riproduci'- Selezionare questa opzione per caricare e riprodurre allo stesso tempo. L'indicatore della batteria di Majority MP3 GO indica quando il dispositivo si sta scaricando e deve essere ricaricato. Il Majority MP3 Go impiega 3 ore per ricaricarsi completamente quando il dispositivo non è in uso.

Trasferimento di file/Aggiungi musica

Spegnere Majority MP3 GO utilizzando il pulsante 'Power' **(Ref.1)** per prepararsi al trasferimento. Collegare Majority MP3 GO al computer utilizzando il cavo USB Type-C. (incluso nella confezione). Una volta collegato a un PC o a un laptop, selezionare 'Carica e trasferimento' su Majority MP3 Go, quindi premere il pulsante 'POWER' **(Ref. 1)** per confermare.

Il Majority MP3 GO verrà riconosciuto dal computer come una chiavetta USB. Trascinare i file audio nei formati supportati dal PC a Majority MP3 GO. Attendere che i file siano completamente trasferiti prima di rimuovere Majority MP3 GO.

Una volta trasferiti, assicurarsi che il lettore MP3 Go venga espulso in modo sicuro dalle opzioni di File Explorer del computer prima di scollegare il cavo USB Type-C.

Sistemi operativi compatibili:

Windows 7/8/8.1/10/XP/11/Vista/2001/Mac OS.

Formati audio supportati:

MP3/WMA/OGG/APE/FLAC/WAV/AA/AAX.

Riproduzione di musica

Premere il pulsante 'MENU' **(Ref.3)** per accedere al 'Menu principale'.

Con i pulsanti 'Precedente'/'Successivo' **(Ref.5 e 6)**, cercare e selezionare 'MUSICA'.

Premere il pulsante 'ENTER' **(Ref.1)** per confermare.

Selezionare ad esempio 'Tutti i brani' e avviare la riproduzione della musica.

Saltare un brano

Premere i pulsanti 'Precedente'/'Successivo' **(Ref.5 e 6)** per passare al brano precedente/successivo.

Avanzamento veloce/Riavvolgimento del brano

Per riavvolgere, tenere premuto il pulsante 'Precedente' **(Ref.5)**. Rilasciare per riprendere.

Per avanzare rapidamente, tenere premuto il pulsante 'Avanti' **(Ref.6)**. Rilasciare per riprendere.

Creare una playlist

Per creare una playlist, selezionare 'Musica' dal menu principale, quindi creare una playlist utilizzando uno dei due metodi seguenti:

Metodo 1:

In 'MUSICA', scorrere le opzioni utilizzando i pulsanti 'Precedente' e 'Successivo' (**Ref.5 e 6**) e selezionare 'Crea playlist'. Premere il pulsante 'OK' (**Ref.1**) per accedere. Scorrere l'elenco dei file audio e selezionarne uno. Una volta evidenziato, premere il pulsante 'OK' (**Ref.1**) per avviare la riproduzione. Premere il pulsante 'Menu principale' (**Ref.3**) e selezionare 'Aggiungi alla playlist' dalle opzioni del menu. Selezionare la playlist in cui si desidera aggiungere il file audio. Il dispositivo chiederà conferma. Per aggiungere il brano, selezionare 'Sì'. Per annullare, selezionare 'No' o premere il tasto 'Indietro' (**Ref.4**) per scegliere un'altra playlist. Ripetere i passaggi precedenti per aggiungere altri brani.

Metodo 2:

Durante la riproduzione di un brano/file audio che si desidera aggiungere a una playlist, premere il pulsante 'Menu' (**Ref.3**). Scorrere le opzioni con i tasti freccia e selezionare 'Aggiungi alla playlist'. Premere il pulsante 'OK' (**Ref.1**) per confermare. Selezionare la playlist in cui si desidera aggiungere il file audio e confermare la selezione con il pulsante 'OK' (**Ref.1**).

Opzioni del menu MUSICA

Quando si accende il Majority MP3 GO, premere il pulsante 'Menu' (**Ref.3**) per accedere al menu MUSICA. Premere il pulsante 'OK' (**Ref.1**) per accedere.

Nel menu Musica sono disponibili le seguenti opzioni quando un brano non è in riproduzione:

In riproduzione - selezionare per riprendere la riproduzione.

Tutti i brani - selezionare per visualizzare un elenco di tutti i brani.

Artisti - selezionare per visualizzare la musica per artista.

Album - selezionare per visualizzare la musica per album.

Generi - selezionare per visualizzare la musica per genere.

Playlist - selezionare per riprodurre una playlist.

Crea playlist: selezionare per iniziare a creare una playlist.

Nota bene: è possibile creare in totale 3 playlist con un massimo di 100 brani ciascuna.

Durante la riproduzione di un brano, premere il pulsante 'MENU' (**Ref.3**) per accedere al 'Menu Musica'. Utilizzare i pulsanti 'Precedente' e 'Successivo' (**Ref.5 e 6**) per accedere a una delle opzioni seguenti. Premere il pulsante 'OK' per confermare (**Ref.1**) la selezione.

Ripetizione

Ripeti 1' per ripetere il brano in riproduzione.

Ripeti tutto' per ripetere la playlist in riproduzione.

Ripetizione OFF' per annullare la funzione di ripetizione già impostata.

Impostazioni di ripetizione

Utilizzare questa funzione per creare una ripetizione di una parte specifica del brano che si desidera riprodurre ripetutamente, impostando la 'Modalità di ripetizione', l'Intervallo di risposta' e i 'Tempi di risposta'.

Mischia

Riproduce i file audio in ordine casuale. Selezionare Shuffle come 'ON' o 'OFF', quindi premere il pulsante 'OK' (**Ref.1**) per confermare.

Impostazioni audio: selezionare la velocità variabile, il limite di riproduzione/volume o l'equalizzatore.

Aggiungi alla playlist: consente di aggiungere un brano a una playlist.

Rimuovi dalla playlist - rimuove il brano attualmente in riproduzione dalla playlist.

Elimina- elimina il brano in riproduzione dal lettore MP3 GO.

Segnalibri: consente di aggiungere un segnalibro per avviare la riproduzione di un file audio da un punto specifico. Una volta selezionato, l'audio inserito nel segnalibro sarà disponibile in 'Segnalibri'. È possibile impostare fino a 10 segnalibri.

Il Majority MP3 GO può essere accoppiato via Bluetooth con auricolari o altoparlanti esterni seguendo la seguente procedura:

1. Selezionare 'Bluetooth' dal menu principale, quindi premere il pulsante 'OK' per accedere **(Ref.1)**.
2. Attivare la connessione Bluetooth su Majority MP3 GO accedendo a 'Bluetooth Switch Control' e selezionare 'Bluetooth Open'. Premere il pulsante 'OK' **(Ref.1)** per confermare, quindi premere il pulsante 'Indietro' **(Ref.4)** per tornare al menu Bluetooth.
3. Attivare il Bluetooth sul dispositivo, assicurandosi che il dispositivo sia visibile e pronto per l'accoppiamento. Cercare i dispositivi su Majority MP3 Go. Durante la ricerca, sullo schermo sarà visibile un'icona lampeggiante (che indica il Bluetooth) accanto all'icona della batteria, a indicare che il lettore sta cercando dispositivi disponibili in giro con cui accoppiarsi.
4. Sul Majority MP3 GO verrà quindi visualizzato un elenco dei dispositivi trovati. Selezionare quello con cui si desidera effettuare l'accoppiamento, quindi premere il pulsante 'OK' **(Ref.1)** per confermare l'accoppiamento e la connessione. Attendere qualche secondo per stabilire la connessione. Una volta effettuata l'associazione, sullo schermo apparirà la scritta 'Connected' e sarà possibile iniziare a riprodurre la musica da Majority MP3 GO tramite il dispositivo di uscita audio Bluetooth.

Se la connessione non riesce, riprovare a eseguire le stesse operazioni descritte ai punti 2, 3 e 4.

Per scollegare Majority MP3 GO da un dispositivo già accoppiato, rimuoverlo dall'"Elenco dei dispositivi".

Per disattivare il Bluetooth su Majority MP3 GO, accedere a 'Bluetooth Switch Control' e selezionare 'Bluetooth OFF'.

Nel menu principale, selezionare 'Registrazioni' e premere il pulsante 'OK' **(Ref.1)** per accedere.

Creare una registrazione vocale.

- Selezionare 'Avvia registrazione vocale' e premere il pulsante 'OK' **(Ref.1)** per avviare la registrazione.
- Il dispositivo inizierà a registrare utilizzando il microfono incorporato.
- Una volta terminata la registrazione, premere il pulsante 'OK' per mettere in pausa/arrestare **(Ref.1)**.
- Premere il pulsante 'Indietro' **(Ref.4)** e selezionare 'Sì' o 'No' per salvare o cancellare la registrazione.

Formato di registrazione - Selezionare per scegliere il formato delle registrazioni: MP3 o WAV.

Impostazioni di registrazione - Selezionare per scegliere e regolare le impostazioni del bitrate del registratore. Le impostazioni del bitrate consentono di modificare la velocità di registrazione in 512, 768, 1024 e 1536kbps (kilobit al secondo).

Libreria registrazioni: selezionare per visualizzare l'elenco delle registrazioni.

VISUALIZZAZIONE CARTELLA (Visualizza tutti i file)

Selezionare 'Vista cartella' dal menu principale per visualizzare un elenco di tutti i file/cartelle disponibili su Majority MP3 Go. Collegare Majority MP3 GO a un computer/laptop utilizzando il cavo USB Type-C incluso nella confezione per accedere a 'Folder View' dal computer. Una volta collegato, trovare il Majority MP3 GO.

SFOGLIAMENTO

Selezionare 'Sfondo' dal menu principale, quindi premere il pulsante 'OK' (**Ref.1**) per cambiare lo sfondo. Ogni volta che si preme il pulsante 'OK' (**Ref.1**), Majority MP3 Go genera un nuovo sfondo. È possibile scegliere tra 6 sfondi.

CRONOMETRO

Selezionare 'Cronometro' dal menu principale, quindi premere il pulsante 'OK' per accedere (**Ref.1**). Avviare un timer, quindi premere il pulsante 'OK' (**Ref.1**) per mettere in pausa o fermare. Premere il pulsante 'Menu' (**Ref.3**) per azzerare i dati.

CALENDARIO

Selezionare 'Calendario' dal menu principale e premere il pulsante 'OK' (**Ref.1**) per visualizzare la data del calendario.

IMPOSTAZIONI

Per visualizzare e modificare le impostazioni principali del lettore MP3 Go, selezionare 'Impostazioni' dal menu principale. Utilizzare i pulsanti 'Precedente' e 'Successivo' (**Ref.5 e 6**) per selezionare l'opzione desiderata e premere il pulsante 'OK' (**Ref.1**) per accedere a ciascun sottomenu.

Lingua - Selezionare per cambiare la lingua del menu del dispositivo. Scegliere la lingua preferita da un elenco di 30 lingue disponibili.

Impostazioni display - Selezionare per modificare la 'Luminosità' dello schermo, impostare un 'Timer retroilluminazione' o uno 'Screensaver'.

Timer sonno - Selezionare per attivare un 'Timer sonno' con impostazioni di spegnimento automatico.

Timer spegnimento - Selezionare per regolare le impostazioni di spegnimento automatico quando non c'è attività su Majority MP3 GO.

Data e ora - Selezionare e regolare le impostazioni di data e ora.

Informazioni - Selezionare per visualizzare le informazioni relative alla versione del firmware e allo spazio residuo disponibile sul disco di Majority MP3 GO.

Impostazioni di fabbrica - Selezionare per ripristinare le impostazioni di fabbrica del lettore Majority MP3 GO.

Formatta dispositivo - Selezionare per formattare il dispositivo e cancellare tutti i dati e i file.

Nota bene: se è inserita una scheda SD, questa deve essere rimossa prima di utilizzare 'Formatta dispositivo', altrimenti tutti i dati della scheda SD verranno cancellati.

Osservazione	Potenziale causa/soluzione
L'MP3 Go Majority non si accendersi.	Controllare se il lettore MP3 Majority Go è in modalità Standby. Controllare se il lettore è completamente carica.
L'MP3 Go Majority non si accende, il display è nero. non si accende, il display è nero.	Inserire un perno nel foro di ripristino 'Reset' (Ref.13).
Impossibile riprodurre i file audio caricati.	Verificare che i file audio caricati dal computer siano nei formati supportati.
L'altoparlante esterno Bluetooth/ sorgente di uscita audio non può connettersi.	Verificare che il Bluetooth sia attivato sul lettore Majority MP3 Go e sul dispositivo e ricollegarlo. Verificare che l'altoparlante esterno sia compatibile con Bluetooth versione 5.0.
Nessun suono.	Aumentare il volume. Controllare se i file audio sono nei formati supportati.
I pulsanti non funzionano.	Controllare se il GO MP3 di maggioranza è bloccato. Far scorrere il pulsante 'HOLD' verso destra per sbloccare. Eseguire un reset del display inserendo uno spillo nel foro di reset (Ref.13).

Supporto

Se avete bisogno di ulteriore assistenza con il vostro Majority MP3 GO, contattate il nostro team di assistenza tecnica sul sito web di Majority:
www.majority.co.uk/support.

Specifiche del prodotto

Schermo	1.54 inch 240*240 IPS screen
Memoria MP3 GO	16GB
Bluetooth Version	Bluetooth 5.0
Formato di registrazione	MP3 Rec/ WAV Rec
Scheda Micro-SD	Compatibile con schede SD fino a 128 GB
Batteria	cLi-polimero ricaricabile 300mAh
Tempo di ricarica	3 hours

Garanzia

Per attivare la garanzia estesa di 3 anni e avere accesso a tutti i vantaggi e all'assistenza tecnica a vita, registrate il vostro Majority MP3 GO entro 30 giorni dall'acquisto sul sito web di Majority: <https://www.majority.co.uk/register/>.

1. Leggere queste istruzioni.
2. Conservare queste istruzioni. Le istruzioni possono essere scaricate anche dal sito www.majority.co.uk.
3. Seguire tutte le avvertenze.
4. Seguire tutte le istruzioni.
5. Non pulire l'apparecchio vicino o con acqua.
6. Non bloccare le aperture di ventilazione.
7. Non bloccare le aperture di ventilazione. Installare secondo le istruzioni del produttore.
8. Non installare l'apparecchio in prossimità di fonti di calore come radiatori, stufe o altri apparecchi che producono calore.
9. Proteggere l'alimentazione da calpestio o schiacciamento, in particolare in corrispondenza delle spine, delle prese e del punto di uscita dall'apparecchio.
10. Utilizzare solo gli accessori specificati dal produttore.
11. Scollegare l'apparecchio durante i temporali o quando non viene utilizzato per lunghi periodi di tempo.
12. Rivolgersi a personale qualificato per la manutenzione.
13. Sull'apparecchio non devono essere collocate fonti di fiamme libere, come ad esempio una candela accesa.
14. Smaltire i prodotti elettrici usati e le batterie in modo sicuro, secondo le autorità e le normative locali.

AVVERTENZE AGGIUNTIVE

L'apparecchio non deve essere esposto a gocce, spruzzi o oggetti pieni d'acqua.

La spina principale viene utilizzata per scollegare l'apparecchio. Per scollegare completamente l'apparecchio dalla rete elettrica, è necessario scollegare completamente la spina dalla presa principale.

La batteria non deve essere esposta a calore eccessivo.

RICICLAGGIO DEI PRODOTTI ELETTRICI

È consigliabile riciclare i propri prodotti elettrici di scarto, aiutando così l'ambiente.



Questo simbolo indica che un prodotto elettrico non deve essere smaltito con i normali rifiuti domestici. Una volta terminato, assicurarsi che venga portato in una struttura idonea per lo smaltimento.

IMPORTANTE: leggere attentamente tutte le istruzioni prima dell'uso e conservarle per riferimento futuro.



Rischio di scosse elettriche.
Non aprire.



Leggere attentamente tutte le istruzioni prima dell'uso e conservarle per riferimenti futuri.



In caso di manutenzione, utilizzare solo parti di ricambio identiche.



ATTENZIONE

RISCHIO DI SCOSSE ELETTRICHE
NON APRIRE



CAUTION

RISQUE D'ELECTROCUTION NE
PAS OUVRIR



IMPORTANTE: leggere attentamente tutte le istruzioni prima dell'uso e conservarle per riferimento futuro.



MP3 GO Player 16GB

Manual del usuario

MAJORITY

HOME AUDIO • CAMBRIDGE

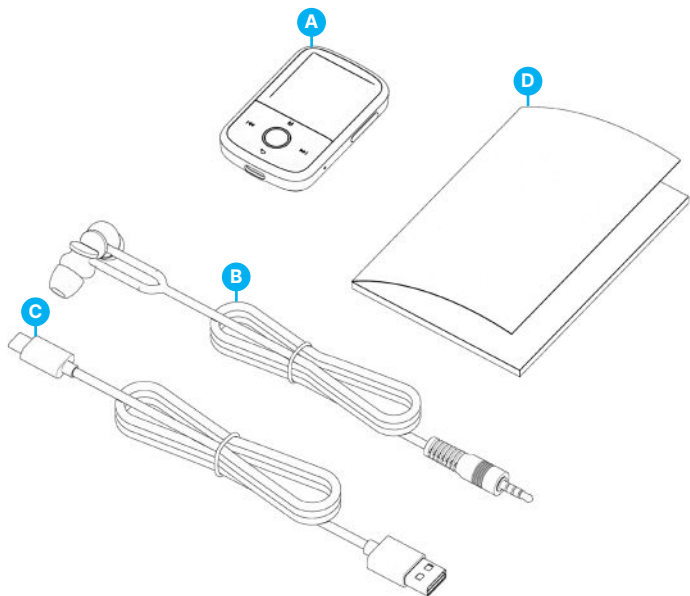
¿Qué hay en la caja?.....	3
Controles y funciones	4
Guía de instrucciones	5
Funcionamiento básico	5
Música	6
Bluetooth.....	9
Grabaciones de voz	10
Ver carpeta	11
Papel pintado	11
Cronómetro	11
Calendario	11
Ajustes	12
Solución de problemas y asistencia	13
Especificación del producto y garantía	14
Información de seguridad	15

3 Años de
Garantía

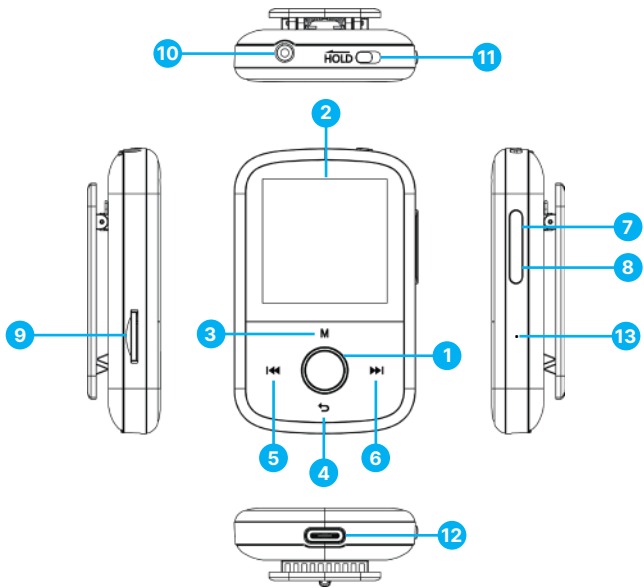
Registra tu producto en línea para obtener de forma GRATUITA una ampliación de la garantía de 3 años en: www.majority.co.uk

¿Qué hay en la caja?

- A. Majority MP3 GO Player 16GB
- B. Auriculares
- C. Cable de carga USB Tipo-C
- D. Guía de instrucciones



Reproductor MP3 Go



- | | |
|--|---------------------------------|
| 1. Botón Play/Pause/Power ON/OFF/OK/Enter | 7. Volumen + |
| 2. Pantalla IPS de 1,54 | 8. Volumen - |
| 3. Botón Menú | 9. Ranura para tarjeta Micro SD |
| 4. Botón Retorno/Atrás | 10. Conector para auriculares |
| 5. Anterior / Manténgalo pulsado para retroceder rápidamente | 11. Mantener Bloqueo/Desbloqueo |
| 6. Siguiente / Mantener pulsado para avanzar rápido | 12. Puerto de carga Tipo-C |
| | 13. Reiniciar |

Tenga en cuenta que las instrucciones de este manual de usuario se refieren al número de botón de la unidad, por ejemplo (Ref. 'Número'), según los diagramas de la página 4.

Encendido/Apagado

Mantenga pulsado el botón de encendido **(Ref.1)** durante 2-3 segundos para encender y apagar la unidad.

Modo de espera

Cuando la pantalla se quede en negro, pulse el botón 'Power' **(Ref.1)** para sacar el Majority MP3 GO Player del modo de espera.

Botón Hold- Bloquear/Desbloquear

Deslice el botón 'Hold' **(Ref.11)** hacia la izquierda para mantener/bloquear el Majority MP3 GO o deslícelo hacia la derecha para desbloquearlo.

Nota: Mientras el Majority MP3 GO está bloqueado, los botones no funcionan. Asegúrese de que el dispositivo está desbloqueado para reanudar las operaciones.

Navegue por las opciones del Menú/Submenú.

Utilice los botones 'Anterior' y 'Siguiente' **(Ref.5 y 6)** para navegar y resaltar su selección dentro de cada Menú o Submenú y, a continuación, pulse el botón 'OK' **(Ref.1)** para acceder/entrar o confirmar como se describe en este manual.

Cargando

Prepare el Majority MP3 GO para la carga. Para empezar, apague el dispositivo antes de cargarlo.

Utilizando el cable USB Type-C suministrado en la caja, inserta el extremo micro USB en el puerto USB de carga del Majority MP3 GO **(Ref.12)**, y el otro extremo en un puerto USB de un PC o portátil. Alternativamente, conecta el Majority MP3 GO a un enchufe de pared utilizando el cable USB Tipo-C con clavija USB (la clavija no se incluye en la caja).

Cuando conecte el reproductor Majority MP3 GO a un PC o portátil mediante el cable USB Type-C, en la pantalla del reproductor MP3 GO podrá elegir entre dos opciones: 'Charge & Transfer'- Seleccione esta opción para cargar y transferir archivos de audio en el reproductor MP3.

'Charge & Play'- Seleccione esta opción para cargar y reproducir al mismo tiempo. El indicador de batería del Majority MP3 GO mostrará cuando el dispositivo se está agotando y necesita ser cargado. El Majority MP3 Go tarda 3 horas en cargarse completamente cuando el dispositivo no está en uso.

Transferencia de archivos/Añadir música

Apague el Majority MP3 GO utilizando el botón 'Power' (**Ref.1**) para preparar la transferencia. Conecte el Majority MP3 GO a su ordenador utilizando el cable USB Tipo-C. (incluido en la caja). Una vez conectado con un PC o portátil, selecciona 'Charge & Transfer' en el Majority MP3 Go, y luego pulsa el botón 'POWER' (**Ref.1**) para confirmar.

El Majority MP3 GO será reconocido en su ordenador de la misma forma que una memoria USB. Arrastre y suelte archivos de audio en formatos compatibles desde su PC al Majority MP3 GO. Espere hasta que los archivos se hayan transferido completamente antes de retirar el Majority MP3 GO.

Una vez transferidos asegúrate de que el reproductor MP3 Go es expulsado en primer lugar y de forma segura de las opciones del Explorador de Archivos de tu ordenador antes de desconectar el cable USB Tipo-C.

Sistemas operativos compatibles:

Windows 7/8/8.1/10/XP/11/Vista/2001/Mac OS.

Formatos de audio compatibles:

MP3/WMA/OGG/APE/FLAC/WAV/AA/AAX.

Reproducir música

Pulse el botón 'MENÚ' (**Ref.3**) para acceder al 'Menú principal'.

Con los botones 'Anterior'/'Siguiente' (**Ref.5 y 6**), busque y seleccione 'MÚSICA'.

Pulse el botón 'ENTER' (**Ref.1**) para confirmar.

Seleccione, por ejemplo, 'Todas las canciones' y comience a reproducir su música.

Saltar pista

Pulse los botones 'Anterior'/'Siguiente' (**Ref.5 y 6**) para saltar a la pista anterior/siguiente.

Avance rápido/Rebobinado

Para rebobinar, mantén pulsado el botón 'Anterior' (**Ref.5**). Suéltelo para reanudar.

Para avanzar rápidamente, mantenga pulsado el botón 'Siguiente' (**Ref.6**). Suéltelo para reanudar la reproducción.

Crear una lista de reproducción

Para crear una lista de reproducción, seleccione 'Música' en el menú principal y, a continuación, cree una lista de reproducción utilizando uno de estos dos métodos:

Método 1:

Estando en 'MÚSICA', desplácese por las opciones utilizando los botones 'Anterior'/'Siguiente' (**Ref.5 y 6**) y seleccione 'Crear lista de reproducción'. Pulse el botón 'OK' (**Ref.1**) para entrar. Desplácese por la lista de archivos de audio y seleccione uno. Una vez seleccionado, pulse el botón 'OK' (**Ref.1**) para iniciar la reproducción. Pulse el botón 'Menú principal' (**Ref.3**) y seleccione 'Añadir a lista de reproducción' en las opciones del menú. Seleccione la lista de reproducción en la que desea añadir el archivo de audio. El dispositivo le pedirá confirmación. Para añadir la canción, seleccione 'Sí'. Para cancelar, seleccione 'No', o pulse el botón 'Atrás' (**Ref.4**) para elegir otra lista de reproducción. Repita los pasos anteriores para añadir más canciones.

Método 2:

Mientras reproduce una canción/archivo de audio que desea añadir a una lista de reproducción, pulse el botón 'Menú' (**Ref.3**). Desplácese por las opciones con los botones de flecha y seleccione 'Añadir a lista de reproducción'. Pulse el botón 'OK' (**Ref.1**) para confirmar. Seleccione la lista de reproducción en la que desea añadir el archivo de audio y confirme su selección con el botón 'OK' (**Ref.1**). **Opciones del Menú MUSIC**

Cuando encienda el Majority MP3 GO, pulse el botón 'Menu' (**Ref.3**) para entrar en el menú MUSIC. Pulse el botón 'OK' (**Ref.1**) para entrar.

Las siguientes opciones están disponibles dentro del Menú Música cuando no se está reproduciendo una canción:

Reproduciendo - seleccione para reanudar la reproducción.

Todas las canciones- seleccione para ver una lista de todas las canciones.

Artistas- seleccione para ver música por artista.

Álbumes: seleccione esta opción para ver la música por álbum.

Géneros: seleccione esta opción para ver música por género.

Listas de reproducción: seleccione esta opción para reproducir una lista de reproducción.

Crear lista de reproducción: seleccione esta opción para empezar a crear una lista de reproducción. *Nota: Puedes crear un total de 3 listas de reproducción de hasta 100 canciones cada una.*

Mientras reproduce una canción, pulse el botón 'MENÚ' (**Ref.3**) para acceder al 'Menú Música'. Utilice los botones 'Anterior' y 'Siguiente' (**Ref.5 y 6**) para acceder a cualquiera de las siguientes opciones. Pulse el botón 'OK' para confirmar (**Ref.1**) su selección.

Repetir

Repetir 1' para repetir la canción que se está reproduciendo.

Repetir todo' para repetir la lista de reproducción que se está reproduciendo.

Repetir OFF' para cancelar la función de repetición ya configurada.

Ajustes de repetición

Utiliza esta función para crear una repetición de una parte específica de la canción que te gustaría reproducir repetidamente configurando el 'Modo de repetición', el 'Intervalo de respuesta' y los 'Tiempos de respuesta'.

Aleatorio

Reproduce archivos de audio en orden aleatorio. Seleccione Shuffle como 'ON' u 'OFF', y pulse el botón 'OK' (**Ref.1**) para confirmar.

Ajustes de sonido- seleccione la velocidad variable, el límite de reproducción/volumen o el ecualizador.

Añadir a la lista de reproducción: añada una canción a la lista de reproducción.

Eliminar de la lista de reproducción: elimine la canción que se está reproduciendo de la lista de reproducción.

Eliminar: elimine la canción que se está reproduciendo en el reproductor MP3 GO.

Marcadores: añada un marcador para iniciar la reproducción de un archivo de audio desde un punto específico. Una vez seleccionado, el audio marcado estará disponible en 'Marcadores'. Puede establecer hasta 10 marcadores.

El Majority MP3 GO puede emparejarse mediante Bluetooth con unos auriculares o un altavoz externo siguiendo los siguientes pasos:

1. Seleccione 'Bluetooth' en el Menú Principal y pulse el botón 'OK' para entrar **(Ref.1)**.
2. Active la conexión Bluetooth en el Majority MP3 GO entrando en 'Bluetooth Switch Control' y seleccione 'Bluetooth Open'. Pulse el botón 'OK' **(Ref.1)** para confirmar y, a continuación, pulse el botón 'Atrás' **(Ref.4)** para volver al Menú Bluetooth.
3. Active Bluetooth en su dispositivo, asegurándose de que su dispositivo está visible y listo para emparejarse. Busque dispositivos en la Mayoría MP3 Go. Durante la búsqueda, un icono parpadeante (indicando Bluetooth) será visible en la pantalla junto al icono de la batería, representando que el reproductor está buscando dispositivos disponibles alrededor con los que emparejarse.
4. A continuación, se mostrará una lista de los dispositivos encontrados en el Majority MP3 GO. Seleccione el que desea emparejar y pulse el botón 'OK' **(Ref.1)** para confirmar, emparejar y conectar. Espere unos segundos a que se establezca la conexión. Una vez emparejado con éxito, la pantalla mostrará 'Conectado' y ya puede empezar a reproducir música desde el Majority MP3 GO a través de su dispositivo de salida de audio Bluetooth.

Si la conexión falla, vuelva a intentar los mismos pasos descritos en los puntos 2, 3, 4.

Para desconectar el Majority MP3 GO, de un dispositivo ya emparejado elimínelo del suyo de la 'Lista de dispositivos'.

Para desconectar el Bluetooth en el Majority MP3 GO, acceda al 'Control de Conmutación Bluetooth' y seleccione 'Bluetooth OFF'.

Dentro del Menú Principal, seleccione 'Grabaciones' y pulse el botón 'OK' **(Ref.1)** para entrar.

Cree una grabación de voz.

- Seleccione 'Iniciar grabación de voz' y pulse el botón 'Aceptar' **(Ref.1)** para iniciar la grabación.
- El dispositivo comenzará a grabar utilizando el micrófono incorporado.
- Una vez finalizada la grabación, pulse el botón 'OK' para Pausar/Detener **(Ref.1)**.
- Pulse el botón 'Atrás' **(Ref.4)** y seleccione 'Sí' o 'No' para guardar o borrar la grabación.

Formato de grabación - Seleccione para elegir el formato de tus grabaciones: Archivo de grabación MP3 o WAV.

Configuración de grabación- Seleccione esta opción para elegir y ajustar la configuración de Bitrate de la grabadora. La configuración de Bitrate le permite cambiar el bitrate de grabación a 512, 768, 1024 y 1536kbps (Kilobits por segundo).

Biblioteca de grabaciones- Seleccione esta opción para ver la lista de sus grabaciones.

VISTA DE CARPETAS (Ver todos los archivos)

Seleccione 'Folder view' en el menú principal para ver una lista de todos los archivos/carpets disponibles en el Majority MP3 Go. Conecte el Majority MP3 GO con un ordenador/portátil mediante el cable USB Tipo-C incluido en la caja para acceder a 'Folder View' desde su ordenador. Una vez conectado, busca el 'Majority MP3 GO'.

WALLPAPER

Seleccione 'Fondo de pantalla' en el menú principal y, a continuación, pulse el botón 'OK' **(Ref.1)** para cambiar el fondo de pantalla. Cada vez que pulse el botón 'OK' **(Ref.1)**, el Majority MP3 Go generará un nuevo fondo de pantalla. Hay 6 fondos de pantalla para elegir.

CRONÓMETRO

Seleccione 'Cronómetro' en el menú principal y, a continuación, pulse el botón 'OK' para entrar **(Ref.1)**. Inicie un cronómetro y pulse el botón 'OK' **(Ref.1)** para pausarlo o detenerlo. Pulse el botón 'Menú' **(Ref.3)** para restablecer los datos.

CALENDARIO

Seleccione 'Calendario' en el menú principal y pulse el botón 'OK' **(Ref.1)** para ver la fecha del calendario.

AJUSTES

Para ver y cambiar los ajustes principales del reproductor MP3 Go, seleccione 'Ajustes' en el Menú Principal. Utilice los botones 'Anterior' y 'Siguiente' (**Ref. 5 y 6**) para seleccionar su opción, pulse el botón 'OK' (**Ref. 1**) para entrar en cada submenú.

Idioma - Seleccione esta opción para cambiar el idioma del menú del dispositivo. Elija su idioma preferido de una lista de 30 disponibles.

Ajustes de pantalla - Seleccione esta opción para cambiar el 'Brillo' de la pantalla, establecer un 'Temporizador de retroiluminación' o un 'Salvapantallas'.

Temporizador de apagado automático: seleccione esta opción para activar un temporizador de apagado automático.

Temporizador de apagado - Seleccione esta opción para ajustar la configuración de apagado automático cuando no haya actividad en Majority MP3 GO.

Fecha y Hora - Seleccione y ajuste la configuración de fecha y hora.

Información - Seleccione esta opción para ver información relacionada con la versión del firmware y el espacio de disco restante disponible del Majority MP3 GO.

Configuración de fábrica - Seleccione esta opción para restaurar la configuración de fábrica del reproductor Majority MP3 GO.

Formatear dispositivo - Seleccione esta opción para formatear el dispositivo y borrar todos los datos y archivos.

Nota: Si tiene una tarjeta SD insertada, debe extraerla antes de utilizar 'Format Device', de lo contrario se borrarán todos los datos de la tarjeta SD.

Observación	Posible causa/solución
La mayoría MP3 Go no es encendiendo.	Compruebe si el Majority MP3 Go está en modo de espera. Compruebe si el reproductor está cargado.
La Mayoría MP3 Go no se enciende, la pantalla está en negro.	Introduzca un alfiler en el orificio de rearme 'Reset' (Ref.13) .
No se pueden reproducir los archivos de audio cargados.	Compruebe si los archivos de audio cargados desde el ordenador están en formatos compatibles.
Altavoz externo Bluetooth/ fuente de salida de audio no puede conectarse.	Compruebe si el Bluetooth está activado en el reproductor Majority MP3 Go y, en tu dispositivo, y vuelve a conectarlo. Compruebe si su altavoz externo es compatible con Bluetooth versión 5.0.
No sound.	Sube el volumen. Compruebe si los archivos de audio están en formatos compatibles.
Los botones no funcionan.	Compruebe si la Mayoría MP3 GO está bloqueada. Deslice el botón 'HOLD' hacia la derecha para desbloquear. Procese un reinicio de la pantalla insertando un alfiler en el orificio de reinicio (Ref.13) .

Soporte

Si necesita más ayuda con su Majority MP3 GO, póngase en contacto con nuestro equipo de asistencia técnica en el sitio web de Majority: www.majority.co.uk/support

Especificación del producto

Pantalla	1.54 inch 240*240 IPS screen
MP3 GO memory	16GB
Versión Bluetooth	Bluetooth 5.0
Formato de grabación	MP3 Rec/ WAV Rec
Tarjeta Micro-SD	Compatible con tarjetas SD de hasta 128 GB
Batería	Li-polímero recargable 300mAh
Tiempo de carga	3 hours

Garantía

Para activar su garantía ampliada de 3 años y acceder a todas las ventajas y al soporte técnico de por vida, registre su Majority MP3 GO en los 30 días siguientes a la compra en la página web de Majority: <https://www.majority.co.uk/register/>

1. Lea estas instrucciones.
2. Conserve estas instrucciones. Las instrucciones también están disponibles para su descarga en www.majority.co.uk.
3. Preste atención a todas las advertencias.
4. Siga todas las instrucciones.
5. No limpie el aparato cerca o con agua.
6. No bloquee ninguna abertura de ventilación. Instale de acuerdo con las instrucciones del fabricante.
7. No bloquee ninguna abertura de ventilación. Instale de acuerdo con las instrucciones del fabricante.
8. No lo instale cerca de fuentes de calor como radiadores, rejillas de calefacción, estufas u otros aparatos que produzcan calor.
9. Proteja la alimentación eléctrica para que no sea pisada o pellizcada, especialmente en los enchufes, tomas de corriente y en el punto en el que salen del aparato.
10. Utilice únicamente los accesorios especificados por el fabricante.
11. Desenchufe este aparato durante tormentas ligeras o cuando no lo vaya a utilizar durante largos periodos de tiempo.
12. Encargue todas las tareas de mantenimiento a personal cualificado.
13. No coloque sobre el aparato ninguna fuente de llama viva, como una vela encendida.
14. Deshágase de los productos eléctricos usados y de las pilas de forma segura de acuerdo con las autoridades y normativas locales.

ADVERTENCIAS ADICIONALES

El aparato no debe estar expuesto a goteos, salpicaduras u objetos llenos de agua.

El enchufe principal sirve para desconectar el aparato de la red eléctrica, el enchufe principal debe desconectarse completamente de la toma de corriente.

La batería no debe exponerse a un calor excesivo.

RECICLAJE DE PRODUCTOS ELÉCTRICOS

Ahora debería reciclar sus residuos de aparatos eléctricos y, de este modo, ayudar al medio ambiente.



Este símbolo significa que un producto eléctrico no debe desecharse con la basura doméstica normal. Asegúrese de llevarlo a un lugar adecuado para su eliminación cuando termine.

IMPORTANTE: Lea atentamente todas las instrucciones antes de utilizar el producto y consérvelas para futuras consultas.



Riesgo de descarga eléctrica. No abrir.



Lea atentamente todas las instrucciones antes de usar el producto y consérvelas para futuras consultas.



En caso de mantenimiento, utilice únicamente piezas de recambio idénticas.



ATENCIÓN

RISK OF ELECTRIC SHOCK DO NOT OPEN



PRECAUCIÓN

RISQUE D'ELECTROCUTION NE PAS OUVRIR



IMPORTANTE: Lea atentamente todas las instrucciones antes de utilizar el producto y consérvelas para futuras consultas.

EU Declaration of Conformity

I hereby declare that the product:

Product Name: Majority MP3 Go Player

Model: 1000002974

Brand Name: Majority

Satisfies all the technical regulations applicable to the product within the scope of Council Directives 2014/35/EU and 2014/30/EU, 2009/125/EC, 2012/19/EU, 2014/53/EU, 2011/65/EU, 1907/2006.

2014/35/EU (LVD Directive)

EN62368-1:2014+A11:2017

2014/30/EU (EMC Directive)

EN55032:2015+A11:2020, Class B, EN IEC 61000-3-2: 2019, EN61000-3-3: 2013+A1:2019, EN55035: 2017, EN 301 489-1 V2.2.3 (2019-11), EN 301 489-17 V3.2.2 (2019-12)

2009/125/EC (ERP Directive)

EN50564: 2011, EN62311: 2008

2012/19/EU (WEEE Directive)

2014/53/EU (RED Directive)

EN55032:2015+A11:2020, Class B, EN IEC 61000-3-2: 2019, EN61000-3-3: 2013+A1:2019, EN55035: 2017, EN 301 489-1 V2.2.3 (2019-11), EN 301 489-17 V3.2.2 (2019-12), EN 303 345-1 V1.1.1 (2019-06), EN 303 345-3 V1.1.0 (2019-11), EN 303 345-4 V1.1.0 (2019-11), ETSI EN 300 328 V2.2.2 (2019-07), EN62368-1:2014+A11:2017, EN 62479: 2010, EN 50663:2017

2011/65/EU & 2015/863/EU (RoHS Directive)

1907/2006 (REACH Directive)

All essential test suites have been carried out.

This declaration is issued under the sole responsibility of iZilla Ltd.

Point of Contact: Eddie Latham | Founder

Signed: 

Date: Nov 2023

UK: iZilla Ltd, 49 Viking Way, Cambridge, CB23 8EL, UK

EU RP: AR Experts, P.O. Box 5047, 3620 AA Breukelen, The Netherlands

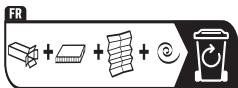
US: iZilla Ltd, C/O A.N. Deringer, Inc., 19520 Wilmington Ave, Rancho Dominguez, CA, 90220

Oakcastle is owned and operated by iZilla Ltd. Registered in England with Company No: 08520738



MAJORITY

www.majority.co.uk



Points de collecte sur www.quefairedemesdechets.fr
Privilégiez la réparation ou le don de votre appareil !